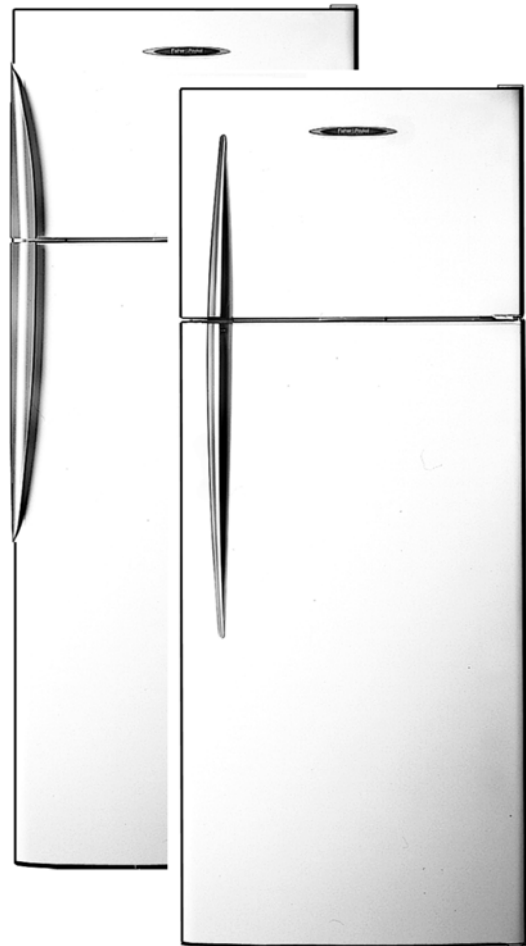


Electronic 790 Refrigerator / Freezer

Models
E521TL E521TR
E522BL E522BR

Series
C & D



**WHITE & STAINLESS STEEL MODELS
COMBINED**

REPLACES PARTS MANUAL 517759

517749

PRODUCTS

Brand Fisher & Paykel

Voltage 220-240V 50Hz, 110-115V 60Hz*, 220V 60Hz+

Model	Series	Code	White Door, Sandstone Door							
E521TL	C	12321	20050	20062	20074	20076	20082	20130	20132	20134
		20146								
E521TR	D	11882	12396							
	C	12320	12341	12345	12353*	12361	12373+	12439	20058	20072
E522BL	D	12038	12395							
	C	12319	12402	20049	20061	20073	20145			
E522BR	C	12318	12342	12346	12354*	12362	12372+	12401	12440	20057
		20071	20113	20147						

Fisher & Paykel Customer
Services
PO Box 798
19 Enterprise St
Cleveland, Queensland 4163
Australia
Tel: (07) 3826 9122
Fax: (07) 3826 9164
Email: parts@fp.com.au
A.C.N 003 335 171

Fisher & Paykel Appliances Ltd
Appliance Spare Parts
PO Box 14-148, Panmure.
80 Springs Rd, East Tamaki
New Zealand
Tel: (09) 272 0261
Fax: (09) 272 0219
Email: parts@fp.co.nz

Fisher & Paykel Appliances Ltd U.K.
Broxell Close,
Wedgnoek Industrial Estate
Warwick CV34 5QF
England
Tel: 01926 626700
Fax: 01926 626701

PRODUCTS

Brand Fisher & Paykel

Voltage 220-240V 50Hz, 220V 60Hz*, 110-115V 60Hz+

Model	Code	Inox (Brushed) Stainless Steel Doors with Charcoal Colour Cabinet									
E521TLI	C <i>INOX</i>	12328	12338	12430	20070	20084	20086	20091	20136	20269	
E521TRI	C <i>INOX</i>	12327	12337	12349	12357*	12365	12380+	12441*	20066		
		20083	20085	20087*	20088	20089	20090	20092+	20135	20268	
E522BLI	C <i>INOX</i>	12330	12336	12414	20069	20259					
E522BRI	C <i>INOX</i>	12329	12335	12350	12358*	12366	12379+	12442*	20065	20258	

Inox (Brushed) Stainless Steel Doors with Silver Colour Cabinet

E521TLX	C <i>INOX-SILVER</i>	20384		
E521TRX	C <i>INOX-SILVER</i>	20385		
E522BLX	C <i>INOX-SILVER</i>	20196	20267	
E522BRX	C <i>INOX-SILVER</i>	20195	20266	

Iridium (Matt) Stainless Steel Doors with Silver Colour Cabinet

E521TLM	C <i>IRIDIUM</i>	20176	20188	20263
E521TRM	C <i>IRIDIUM</i>	20175	20187	20262
E522BLM	C <i>IRIDIUM</i>	20172	20186	20265
E522BRM	C <i>IRIDIUM</i>	20171	20185	20264

CONTENTS

DOORS TOP FZR-WITH BOW METAL HANDLE - <i>ELEGANCE</i>	6
DOORS BTM FZR-WITH BOW METAL HANDLE - <i>ELEGANCE</i>	12
DOORS TOP FZR-WITH CURVED PLASTIC HANDLE - <i>TASMAN</i>	18
DOORS BTM FZR-WITH CURVED PLASTIC HANDLE - <i>TASMAN</i>	22
CABINET TOP FREEZER	26
CABINET BOTTOM FREEZER	30
FAN, COVERS AND EVAPORATOR ASSEMBLIES	34
FAN, COVERS AND EVAPORATOR, - TWIN PC RETURN AIR DUCT SYSTEM	36
ELECTRONIC MODULE AND DUCT COVERS	38
ACTV SMART ST4 TERMINALS PLUGS & SOCKETS	40
COMPRESSOR AND POWER MODULE	42
NOTES	47
REFRIGERATION ABBREVIATION KEY	49

GUIDE TO USING THIS MANUAL

The model(s) and/or series covered by this manual are listed on the front cover.

The information detailed in this manual is subject to change without notice, the latest version is indicated by the reprint date and replaces any earlier editions.

The front cover picture shows the type of product and may not necessarily be an exact image of the models covered by the manual.

Part References

Where a Model is shown, the part is exclusive to the Model(s) stated. Common parts relating to a part reference are applicable to all other Model(s) which use the particular item.

Kit Parts

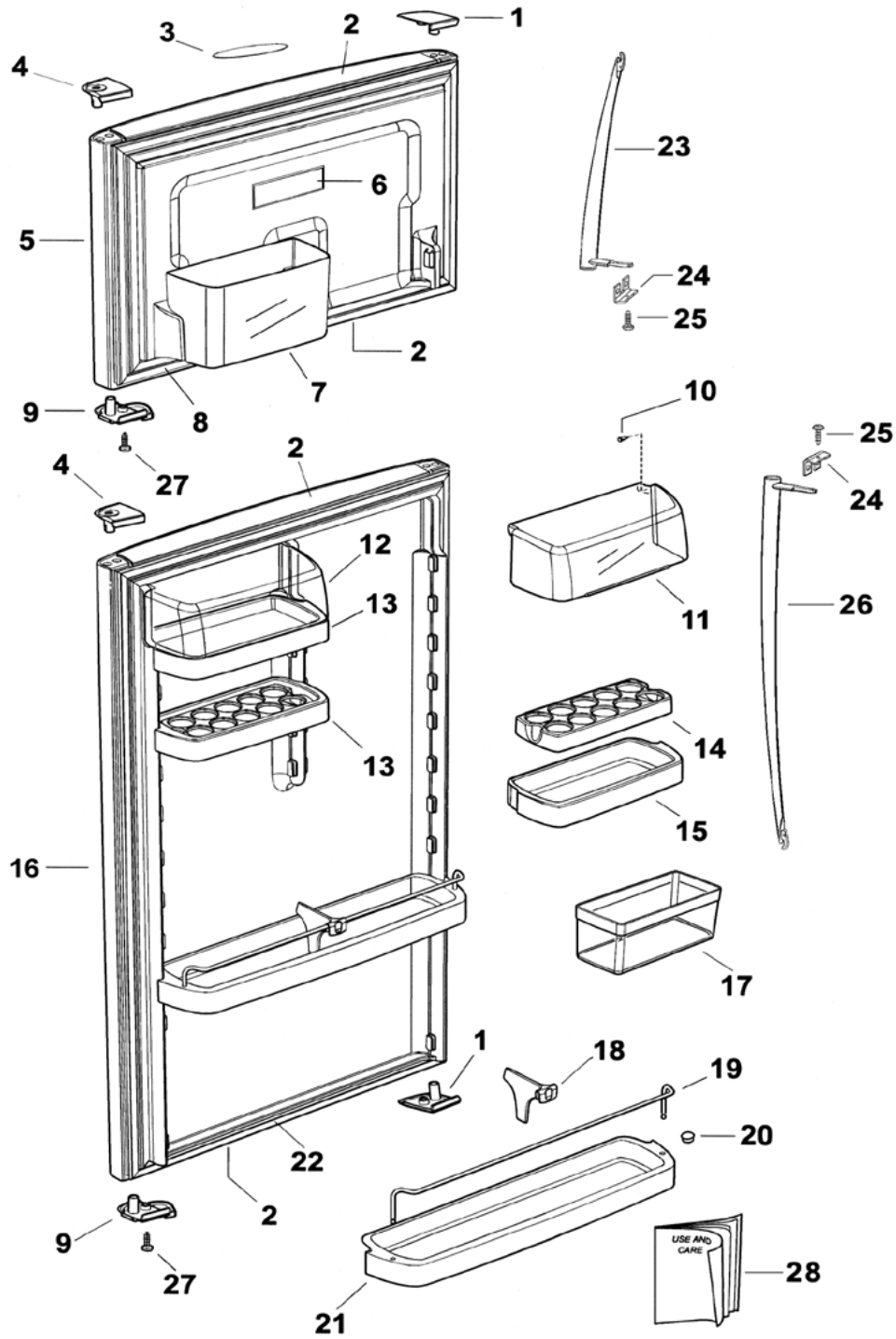
The components shown in *italics* are those parts in the kit which are available also as separate items. In addition, some parts may be supplied with this kit which are not available as separate items and are therefore not listed in this manual.

All details relating to Technical Bulletins or Notes are shown on a dedicated page. The Technical Bulletin Number shown relates to the bulletin version which is produced for the Global Service Centres.

Parts List Key

NOT USED	As a part, indicates the diagram part reference is not used in this manual.
#	Beside the part number, indicates the part is no longer available.
<i>italics</i>	Kit components shown in <i>italics</i> are also available separately.
*	Indicates a technical bulletin or note exists for the part or part reference.
NI	As a part reference, indicates the part is not illustrated on the diagram.

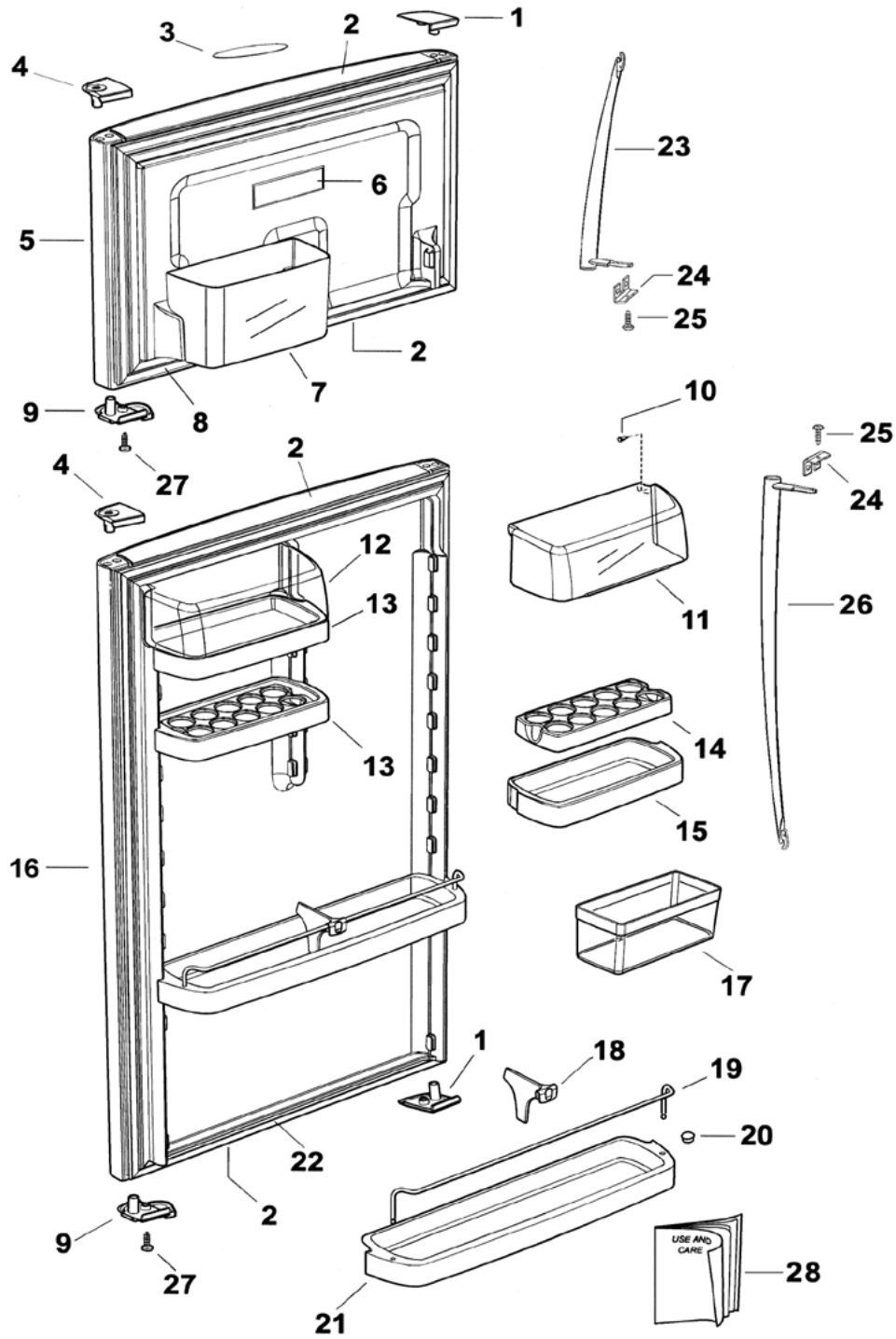
DOORS TOP FZR-WITH BOW METAL HANDLE



DOORS TOP FZR-WITH BOW METAL HANDLE

REF	PART	DESCRIPTION	MODEL
1	883717	COVER HGE DR RHT/LHB WHITE LIP 680/790	
	883718	COVER HGE DR LHT/RHB WHITE LIP 680/790	
	883721	COVER HGE DR RHT/LHB LIP SANDSTONE 680/790	
	883725	COVER HGE DR RHT/LHB CHARCOAL LIP 680/790	
	883726	COVER HGE DR LHT/RHB CHARCOAL LIP 680/790	
	883981	COVER HGE DR RHT/LHB SILVER 680/790	
	883982	COVER HGE DR LHT/RHB SILVER 680/790	
2	883672	CAP DOOR END OUTER WH 790	
	883675	CAP DOOR END OUTER SA 790	
	883678	CAP DOOR END OUTER CH 790	
	883974	CAP DOOR END OUTER SILVER 790	
3	883793	NAMEPLATE F&P ELEG/TASMAN	
4	883660	BEARING HINGE RH WH LIP 680/790	
	883661	BEARING HINGE LH WH LIP 680/790	
	883664	BEARING HINGE RH SANDSTONE LIP 680/790	
	883668	BEARING HINGE RH CH LIP 680/790	
	883669	BEARING HINGE LH CH LIP 680/790	
	883996	BEARING HINGE RH SILVER 680/790	
	883997	BEARING HINGE LH SILVER 680/790	
5	315136P	DOOR FC WW790X 443RH BS HANP/C	E521T, RH WHITE
	883672	CAP DOOR END OUTER WH 790	
	883315	MAGNET DOOR SW 20X25X5MM	
	300071P	DOOR FC WW790X443LH BS HANP/C	E521T, LH WHITE
	883672	CAP DOOR END OUTER WH 790	
	883315	MAGNET DOOR SW 20X25X5MM	
	320524P	DOOR FC SA790X 443RH BS HANP/C	E521T, RH
	883675	CAP DOOR END OUTER SA 790	SANDSTONE
	883315	MAGNET DOOR SW 20X25X5MM	
	306061P	DOOR FC SA790X 443LH BS HANP/C	E521T, LH
	883675	CAP DOOR END OUTER SA 790	SANDSTONE
	883315	MAGNET DOOR SW 20X25X5MM	
		INOX (BRUSHED STAINLESS STEEL) FC DOORS WITH CHARCOAL OUTER DOOR END CAPS	
	315110P	DOOR FC SS790X 443RH CS E521T	E521T, RH INOX
	883678	CAP DOOR END OUTER CH 790	
	883315	MAGNET DOOR SW 20X25X5MM	
	315111P	DOOR FC SS790X 443LH BS E521T	E521T, LH INOX
	883678	CAP DOOR END OUTER CH 790	
	883315	MAGNET DOOR SW 20X25X5MM	
		INOX-(BRUSHED STAINLESS STEEL) FC DOOR WITH SILVER OUTER DOOR END CAPS	
	306049P	DOOR FC XS790X 443RH CS E521T	E521T, RH INOX / SILV
	883974	CAP DOOR END OUTER SILVER 790	
	883315	MAGNET DOOR SW 20X25X5MM	
	306050P	DOOR FC XS790X 443LH BS E521T	E521T, LH INOX / SILV
	883974	CAP DOOR END OUTER SILVER 790	

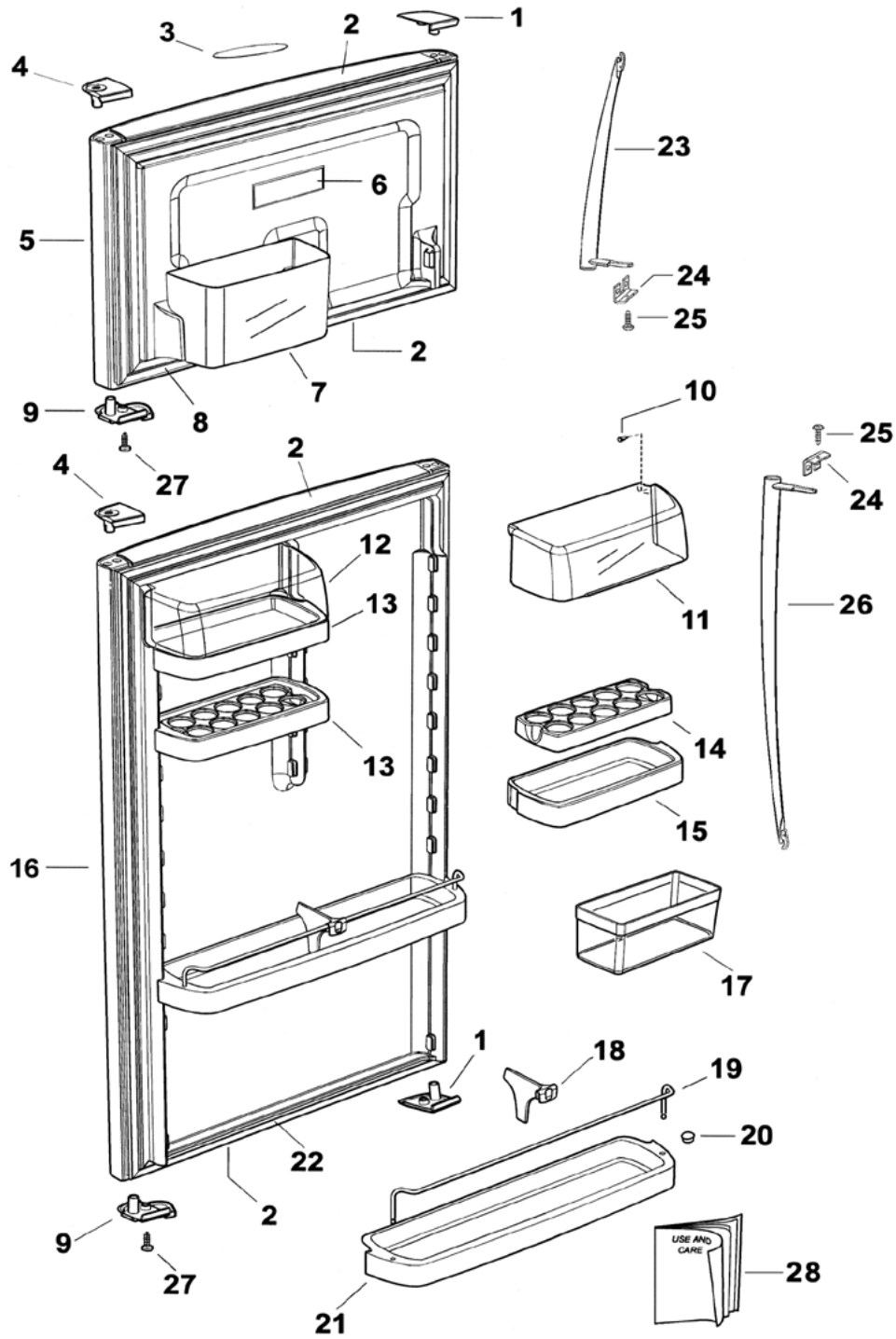
DOORS TOP FZR-WITH BOW METAL HANDLE



DOORS TOP FZR-WITH BOW METAL HANDLE

REF	PART	DESCRIPTION	MODEL
		IRIDIUM - (MATT STAINLESS STEEL) FC DOOR WITH SILVER OUTER DOOR END CAPS	
5	301012P	DOOR FC MS790X 443RT CS IRIDIUM	E521T, RH IRIDIUM
	883974	CAP DOOR END OUTER SILVER 790	
	883315	MAGNET DOOR SW 20X25X5MM	
	301013P	DOOR FC SS790X 443LT CS IRIDIUM	E521T, LH IRIDIUM
	883974	CAP DOOR END OUTER SILVER 790	
	883315	MAGNET DOOR SW 20X25X5MM	
6	874706	LABEL FREEZER GUIDE BLU 55X150	
7	882378	BIN FC 790	
8	883736P	GASKET FC LTGY E521T PUSHIN 775X413	
	883738P	GASKET FC CLGY E521T PUSHIN 775X413	
9	881455	BEARING DR CLOSE RH WH 680/790	
	881456	BEARING DR CLOSE LH WH 680/790	
	881463	BEARING DR CLOSE RH CH 680/790	
	881464	BEARING DR CLOSE LH CH 680/790	
	883979	BEARING DR CLOSE RH GY 680/790	
	883980	BEARING DR CLOSE LH GY 680/790	
10	871123	PLUG/PIN HINGE DAIRY COVER	
11	882141	COVER DOOR SHELF RH	
12	882140	COVER COMP 790 LH	
13	882145	SHELF DOOR SML LH 790	
14	882323	SHELF EGG RACK	
15	882146	SHELF DOOR SML RH 790	
16	315134P	DOOR PC WW790X1200RH BS HANP/C	E521T, RH WHITE
	883672	CAP DOOR END OUTER WH 790	
	883315	MAGNET DOOR SW 20X25X5MM	
	300070P	DOOR PC WW790X1200LH BS HANP/C	E521T, LH WHITE
	883672	CAP DOOR END OUTER WH 790	
	883315	MAGNET DOOR SW 20X25X5MM	
	320525P	DOOR PC SA790X1200RH BS HANP/C	E521T, RH
	883675	CAP DOOR END OUTER SA 790	SANDSTONE
	883315	MAGNET DOOR SW 20X25X5MM	
	306060P	DOOR PC SA790X1200LH BS HANP/C	E521T, LH
	883675	CAP DOOR END OUTER SA 790	SANDSTONE
	883315	MAGNET DOOR SW 20X25X5MM	
		INOX (BRUSHED STAINLESS STEEL) PC DOORS WITH CHARCOAL OUTER DOOR END CAPS	
	* 315104P	DOOR PC SS790X1200RB BS E521T	E521T, RH INOX
	883678	CAP DOOR END OUTER CH 790	
	883315	MAGNET DOOR SW 20X25X5MM	
	* 315105P	DOOR PC SS790X1200LB BS E521T	E521T, LH INOX
	883678	CAP DOOR END OUTER CH 790	
	883315	MAGNET DOOR SW 20X25X5MM	

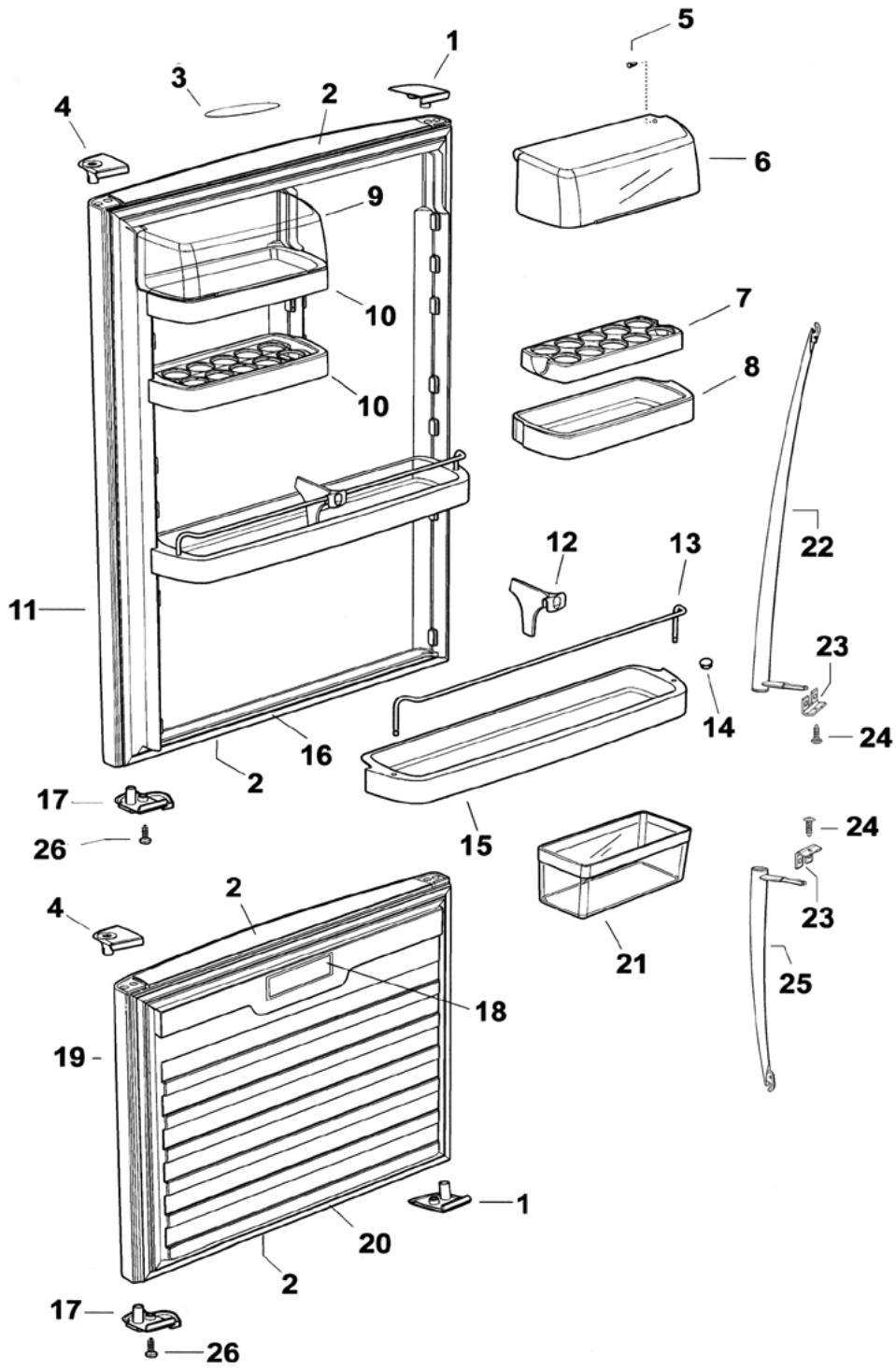
DOORS TOP FZR-WITH BOW METAL HANDLE



DOORS TOP FZR-WITH BOW METAL HANDLE

REF	PART	DESCRIPTION	MODEL
		INOX (BRUSHED STAINLESS STEEL) PC DOORS WITH SILVER OUTER DOOR END CAPS	
16	306047P	DOOR PC XS790X1200RB BS E521T	E521T, RH <i>INOX / SILV</i>
	883974	<i>CAP DOOR END OUTER SILVER 790</i>	
	883315	<i>MAGNET DOOR SW 20X25X5MM</i>	
	306048P	DOOR PC XS790X1200LB BS E521T	E521T, LH <i>INOX / SILV</i>
	883974	<i>CAP DOOR END OUTER SILVER 790</i>	
	883315	<i>MAGNET DOOR SW 20X25X5MM</i>	
		IRIDIUM - (MATT STAINLESS STEEL) PC DOOR WITH SILVER OUTER DOOR END CAPS	
	301010P	DOOR PC MS790X1200RB CS IRIDIUM	E521T, RH <i>IRIDIUM</i>
	883974	<i>CAP DOOR END OUTER SILVER 790</i>	
	883315	<i>MAGNET DOOR SW 20X25X5MM</i>	
	301011P	DOOR PC MS790X1200LB CS IRIDIUM	E521T, LH <i>IRIDIUM</i>
	883974	<i>CAP DOOR END OUTER SILVER 790</i>	
	883315	<i>MAGNET DOOR SW 20X25X5MM</i>	
17	871129	BIN EGG/ICE MOULD	
18	883121	DIVIDER BOTTLE RAIL WHITE	
19	882653	RAIL BOTTLE SUPPORT 790	
20	876281	PLUG DOOR SHELF WHITE	
21	882100	SHELF DOOR LARGE 790	
22	883735P	GASKET PC LTGY E521T PUSHIN 775X1163	
	883737P	GASKET PC CLGY E521T PUSHIN 775X1163	
23	881499	HANDLE DR P/COATED SHORT	
24	881391	PLATE HANDLE SUPPORT PLATED	
25	881044	SCREW 8X22 WAFER PHIL STZP	
26	881484	HANDLE DR P/COATED LONG	
27	881160	SCREW 8X3/4 PAN PH ST ZP	
28	884048	BOOKLET USE & CARE COMBINED	
	883593	BOOKLET USE & CARE EXPORT-ASIA	
	878428	LEAFLET WARRANTY EXPORT	
	883881	LEAFLET WARRANTY NZ/AUST	
	599105	LEAFLET WARRANTY UK	
	882163	LEAFLET UK PLUG REPLACEMENT	

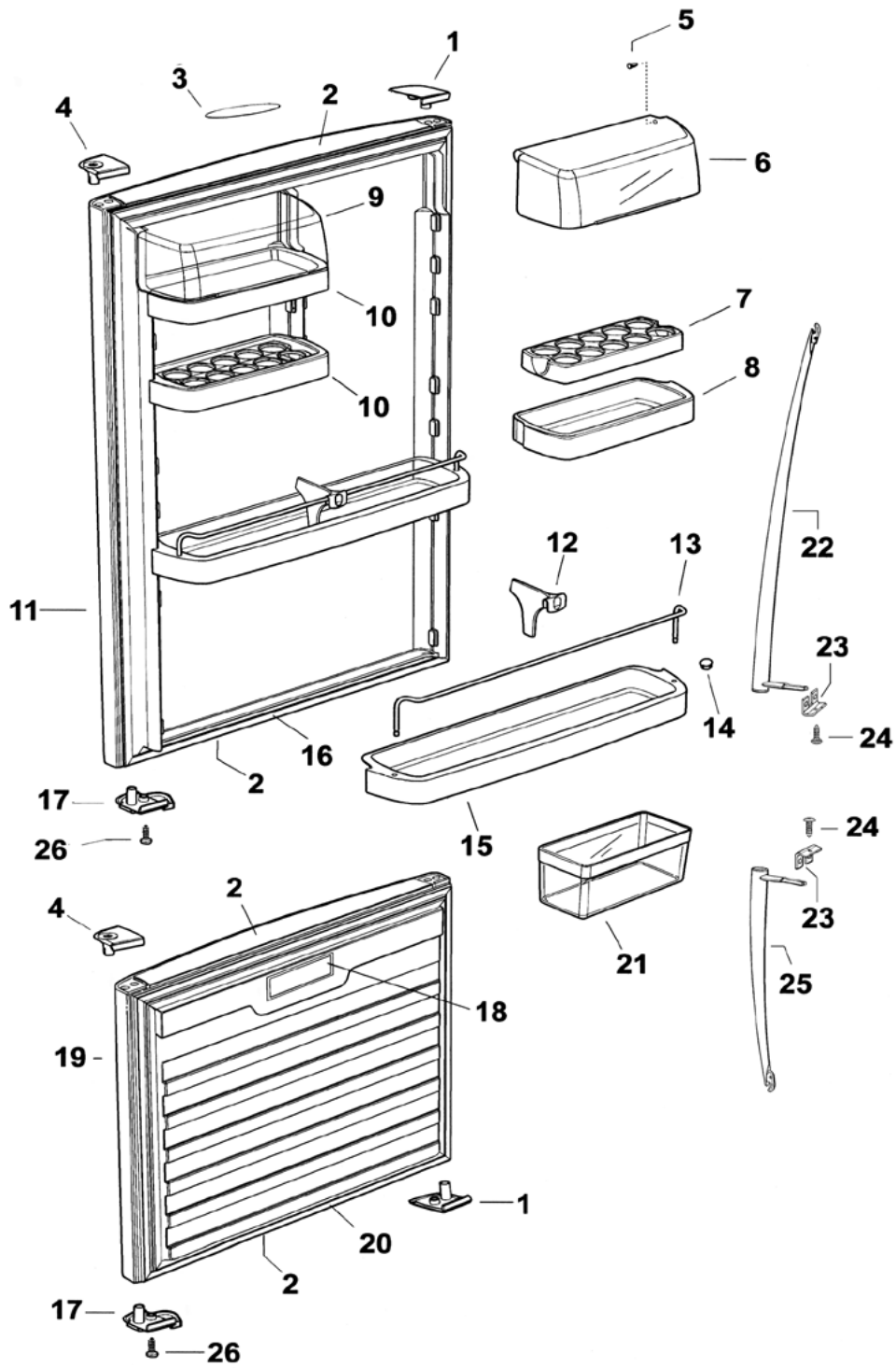
DOORS BTTM FZR-WITH BOW METAL HANDLE



DOORS BTTM FZR-WITH BOW METAL HANDLE

REF	PART	DESCRIPTION	MODEL
1	883717	COVER HGE DR RHT/LHB WHITE LIP 680/790	
	883718	COVER HGE DR LHT/RHB WHITE LIP 680/790	
	883721	COVER HGE DR RHT/LHB LIP SANDSTONE 680/790	
	883725	COVER HGE DR RHT/LHB CHARCOAL LIP 680/790	
	883726	COVER HGE DR LHT/RHB CHARCOAL LIP 680/790	
2	883672	CAP DOOR END OUTER WH 790	
	883675	CAP DOOR END OUTER SA 790	
	883678	CAP DOOR END OUTER CH 790	
	883974	CAP DOOR END OUTER SILVER 790	
3	883793	NAMEPLATE F&P ELEG/TASMAN	
4	883660	BEARING HINGE RH WH LIP 680/790	
	883661	BEARING HINGE LH WH LIP 680/790	
	883664	BEARING HINGE RH SANDSTONE LIP 680/790	
	883668	BEARING HINGE RH CH LIP 680/790	
	883669	BEARING HINGE LH CH LIP 680/790	
	883996	BEARING HINGE RH SILVER 680/790	
	883997	BEARING HINGE LH SILVER 680/790	
5	871123	PLUG/PIN HINGE DAIRY COVER	
6	882141	COVER DOOR SHELF RH	
7	882323	SHELF EGG RACK	
8	882146	SHELF DOOR SML RH 790	
9	882140	COVER DOOR SHELF 790 LH	
10	882145	SHELF DOOR SML LH 790	
11	315132P	DOOR PC WW790X1030RH BS HANP/C	E522B, RH WHITE
	883672	CAP DOOR END OUTER WH 790	
	883315	MAGNET DOOR SW 20X25X5MM	
	300068P	DOOR PC WW790X1030LH BS HANP/C	E522B, LH WHITE
	883672	CAP DOOR END OUTER WH 790	
	883315	MAGNET DOOR SW 20X25X5MM	
	320522P	DOOR PC SA790X1030RH BS HANP/C	E522B, RH
	883675	CAP DOOR END OUTER SA 790	SANDSTONE
	883315	MAGNET DOOR SW 20X25X5MM	
	306058P	DOOR PC SA790X1030LH BS HANP/C	E522B, LH
	883675	CAP DOOR END OUTER SA 790	SANDSTONE
	883315	MAGNET DOOR SW 20X25X5MM	
		INOX (BRUSHED STAINLESS STEEL) PC DOORS WITH CHARCOAL OUTER DOOR END CAPS	
	315106P	DOOR PC SS790X1030RH CS E522B	E522B, RH INOX
	883678	CAP DOOR END OUTER CH 790	
	883315	MAGNET DOOR SW 20X25X5MM	
	315107P	DOOR PC SS790X1030LH CS E522B	E522B,LH INOX
	883678	CAP DOOR END OUTER CH 790	
	883315	MAGNET DOOR SW 20X25X5MM	

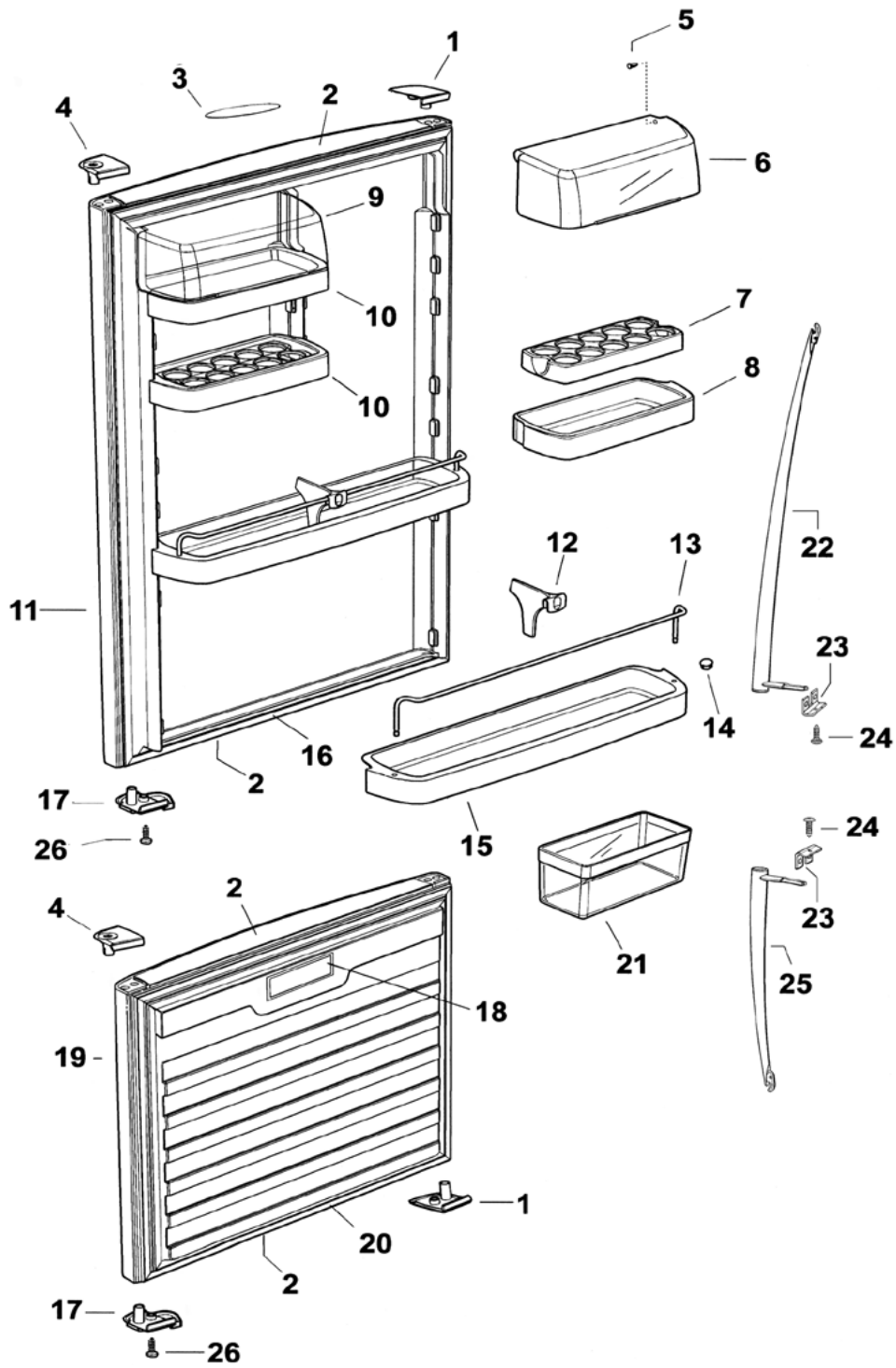
DOORS BTTM FZR-WITH BOW METAL HANDLE



DOORS BTTM FZR-WITH BOW METAL HANDLE

REF	PART	DESCRIPTION	MODEL
		INOX (BRUSHED STAINLESS STEEL) PC DOORS WITH SILVER OUTER DOOR END CAPS	
11	301051P	DOOR PC XS790X1030RB CS INOX-SILVER	E522B, RH <i>INOX-SILV</i>
	883974	<i>CAP DOOR END OUTER SILVER 790</i>	
	883315	<i>MAGNET DOOR SW 20X25X5MM</i>	
	301057P	DOOR PC XS790X1030LB CS INOX-SILVER	E522B, LH <i>INOX-SILV</i>
	883974	<i>CAP DOOR END OUTER SILVER 790</i>	
	883315	<i>MAGNET DOOR SW 20X25X5MM</i>	
		IRIDIUM (MATT STAINLESS STEEL) PC DOORS WITH SILVER OUTER DOOR END CAPS	
	300076P	DOOR PC MS790X1030RB DS IRIDIUM	E522B, RH <i>IRIDIUM</i>
	883974	<i>CAP DOOR END OUTER SILVER 790</i>	
	883315	<i>MAGNET DOOR SW 20X25X5MM</i>	
	300077P	DOOR PC MS790X1030LB DS IRIDIUM	E522B, LH <i>IRIDIUM</i>
	883974	<i>CAP DOOR END OUTER SILVER 790</i>	
	883315	<i>MAGNET DOOR SW 20X25X5MM</i>	
12	883121	DIVIDER BOTTLE RAIL WHITE	
13	882653	RAIL BOTTLE SUPPORT 790	
14	876281	PLUG DOOR SHELF WHITE	
15	882100	SHELF DOOR LARGE 790	
16	883739P	GASKET PC LTGY E522B PUSHIN 775X990	
	883741P	GASKET PC CLGY E522B PUSHIN 775X990	
17	881455	BEARING DR CLOSE RH WH 680/790	
	881456	BEARING DR CLOSE LH WH 680/790	
	881463	BEARING DR CLOSE RH CH 680/790	
	881464	BEARING DR CLOSE LH CH 680/790	
18	874706	LABEL FREEZER GUIDE BLU 55X150	
19	315133P	DOOR FC WW790X613RH BS HANP/C	E522B, RH WHITE
	883672	<i>CAP DOOR END OUTER WH 790</i>	
	883315	<i>MAGNET DOOR SW 20X25X5MM</i>	
	300069P	DOOR FC WW790X613LH BS HANP/C	E522B, LH WHITE
	883672	<i>CAP DOOR END OUTER WH 790</i>	
	883315	<i>MAGNET DOOR SW 20X25X5MM</i>	
	320523P	DOOR FC SA790X613RH BS HANP/C	E522B, RH
	883675	<i>CAP DOOR END OUTER SA 790</i>	SANDSTONE
	883315	<i>MAGNET DOOR SW 20X25X5MM</i>	
	306059P	DOOR FC SA790X613LH BS HANP/C	E522B, LH
	883675	<i>CAP DOOR END OUTER SA 790</i>	SANDSTONE
	883315	<i>MAGNET DOOR SW 20X25X5MM</i>	
		INOX (BRUSHED STAINLESS STEEL) FC DOORS WITH CHARCOAL OUTER DOOR END CAPS	
*	315108P	DOOR FC SS790X 613RH BS E522B	E522B,RH <i>INOX</i>
	883678	<i>CAP DOOR END OUTER CH 790</i>	
	883315	<i>MAGNET DOOR SW 20X25X5MM</i>	
*	315109P	DOOR FC SS790X 613LH BS E522B	E522B,LH <i>INOX</i>
	883678	<i>CAP DOOR END OUTER CH 790</i>	
	883315	<i>MAGNET DOOR SW 20X25X5MM</i>	

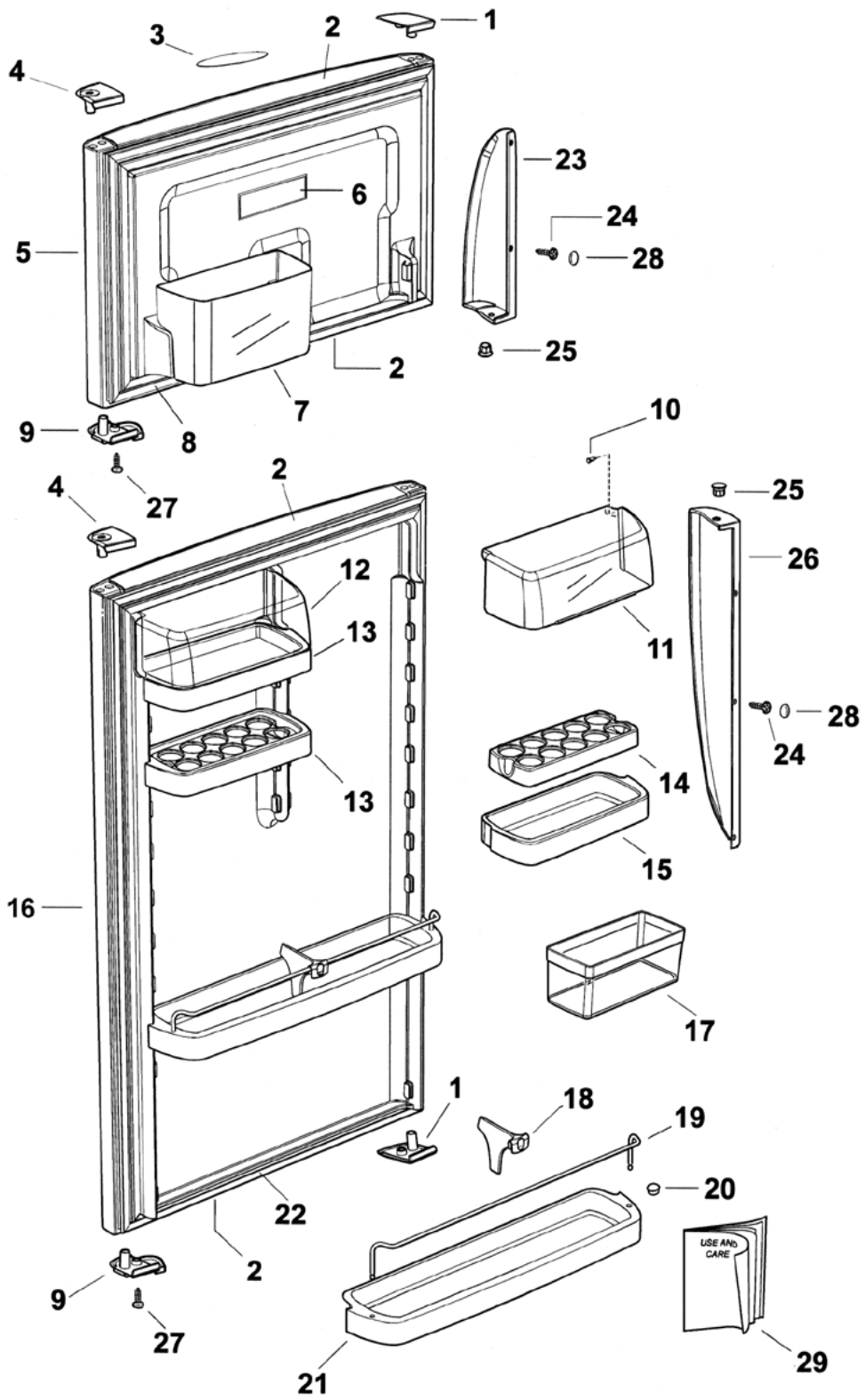
DOORS BTTM FZR-WITH BOW METAL HANDLE



DOORS BTTM FZR-WITH BOW METAL HANDLE

REF	PART	DESCRIPTION	MODEL
		INOX-(BRUSHED STAINLESS STEEL) FC DOOR WITH SILVER OUTER DOOR END CAPS	
19	301078P	DOOR FC XS790X 613RB CS INOX-SILVER	E522B, RH <i>INOX-SILV</i>
	883974	<i>CAP DOOR END OUTER SILVER 790</i>	
	883315	<i>MAGNET DOOR SW 20X25X5MM</i>	
	301079P	DOOR FC XS790X 613LB CS INOX-SILVER	E522B, LH <i>INOX-SILV</i>
	883974	<i>CAP DOOR END OUTER SILVER 790</i>	
	883315	<i>MAGNET DOOR SW 20X25X5MM</i>	
		IRIDIUM - (MATT STAINLESS STEEL) FC DOOR WITH SILVER OUTER DOOR END CAPS	
	300078P	DOOR FC MS790X 613RB CS IRIDIUM	E522B, RH <i>IRIDIUM</i>
	883974	<i>CAP DOOR END OUTER SILVER 790</i>	
	883315	<i>MAGNET DOOR SW 20X25X5MM</i>	
	300079P	DOOR FC MS790X 613LB CS IRIDIUM	E522B, LH <i>IRIDIUM</i>
	883974	<i>CAP DOOR END OUTER SILVER 790</i>	
	883315	<i>MAGNET DOOR SW 20X25X5MM</i>	
20	883740P	GASKET FC LTGY E522B PUSHIN 775X573	
	883742P	GASKET FC CLGY E522B PUSHIN 775X573	
21	871129	BIN EGG/ICE	
22	881484	HANDLE DR P/COATED LONG	
23	881391	PLATE HANDLE SUPPORT PLATED	
24	881044	SCREW 8X22 WAFER PHIL STZP	
25	881499	HANDLE DR P/COATED SHORT	
26	881160	SCREW 8X3/4 PAN PH ST ZP	

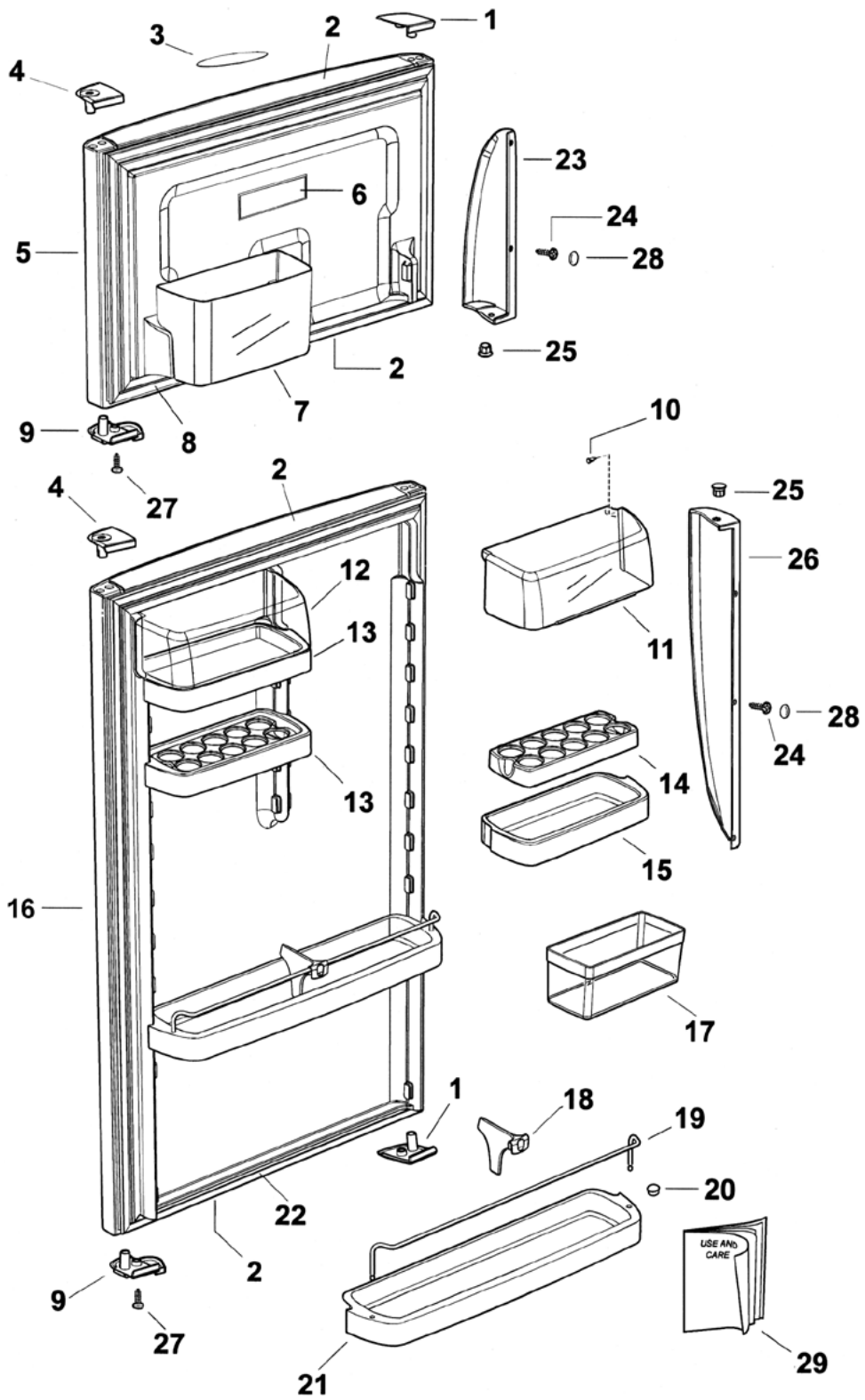
DOORS TOP FZR-WITH CURVED PLASTIC HANDLE



DOORS TOP FZR-WITH CURVED PLASTIC HANDLE

REF	PART	DESCRIPTION	MODEL
1	883717	COVER HGE DR RHT/LHB WH LIP 680/790	
	883718	COVER HGE DR LHT/RHB WH LIP 680/790	
	883721	COVER HGE DR RHT/LHB SA LIP 680/790	
	883722	COVER HGE DR LHT/RHB SA LIP 680/790	
2	883672	CAP DOOR END OUTER WH 790	
	883675	CAP DOOR END OUTER SA 790	
3	883793	NAMEPLATE F&P ELEG/TASMAN	
4	883660	BEARING HINGE RH WH LIP 680/790	
	883661	BEARING HINGE LH WH LIP 680/790	
	883664	BEARING HINGE RH SA LIP 680/790	
	883665	BEARING HINGE LH SA LIP 680/790	
5	* 310032P	DOOR FC WW790 X 443 BS E521T	
	883672	CAP DOOR END OUTER WH 790	
	883315	MAGNET DOOR SW 20X25X5MM	
	315028P	DOOR FC SA 790 X 443 BS E521T	
	883675	CAP DOOR END OUTER SA 790	
	883315	MAGNET DOOR SW 20X25X5MM	
6	874706	LABEL FREEZER GUIDE BLU 55 X 150	
7	882378	BIN FC 790	
8	883736P	GASKET FC LTGY E521T PUSHIN 775X413	
9	881455	BEARING DR CLOSE RH WH 680/790	
	881456	BEARING DR CLOSE LH WH 680/790	
	881459	BEARING DR CLOSE RH SA 680/790	
	881460	BEARING DR CLOSE LH SA 680/790	
10	871123	PLUG/PIN HINGE DAIRY COVER	
11	882141	COVER DOOR SHELF 790 RH	
12	882140	COVER DOOR SHELF 790 LH	
13	882145	SHELF DOOR SML LH 790	
14	882323	SHELF EGG RACK	
15	882146	SHELF DOOR SML RH 790	
16	* 310030P	DOOR PC WH790 X 1200 BS E521T	
	883672	CAP DOOR END OUTER WH 790	
	883315	MAGNET DOOR SW 20X25X5MM	
	315024P	DOOR PC SA 790 X 1200 BS E521T	
	883675	CAP DOOR END OUTER SA 790	
	883315	MAGNET DOOR SW 20X25X5MM	

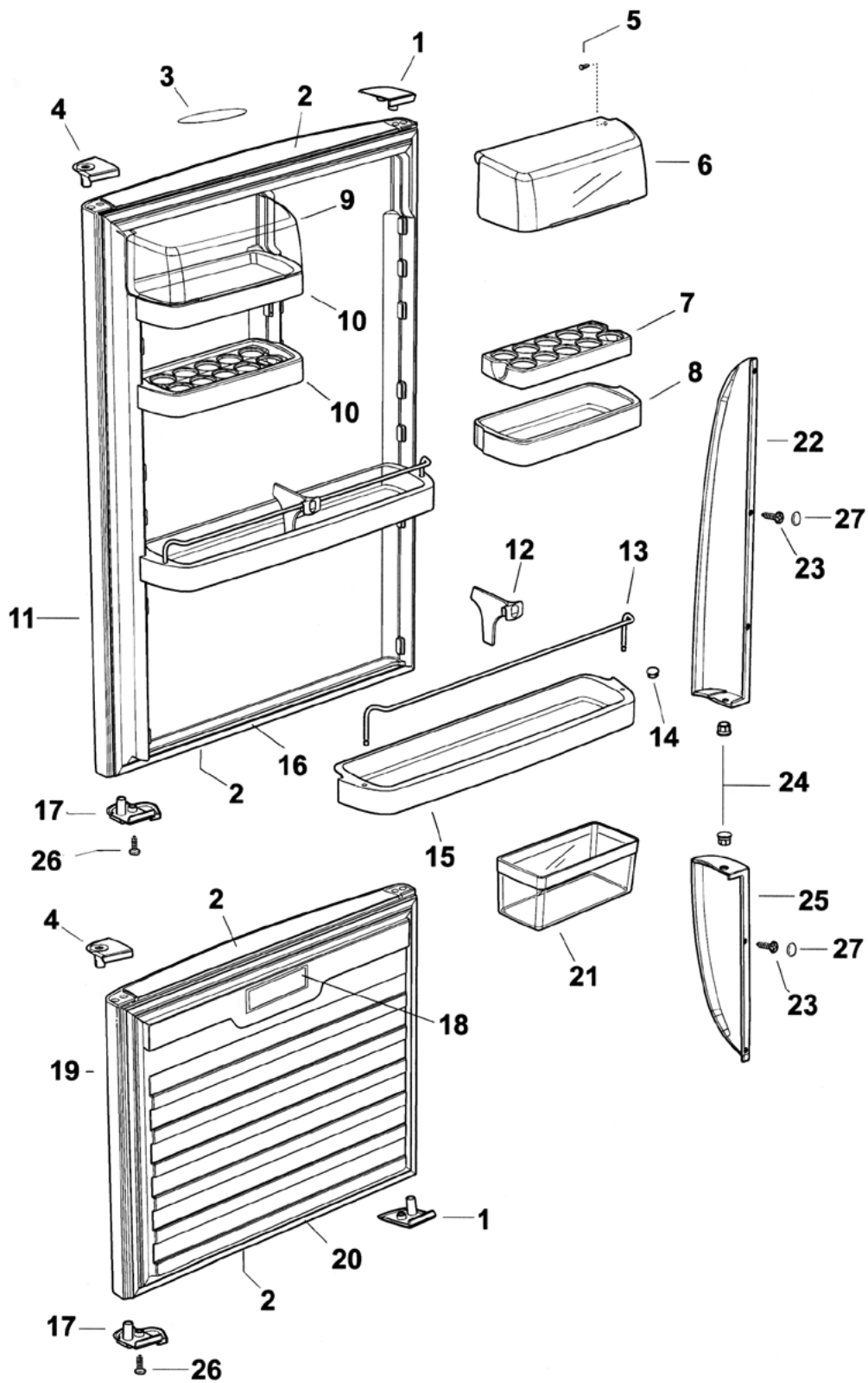
DOORS TOP FZR-WITH CURVED PLASTIC HANDLE



DOORS TOP FZR-WITH CURVED PLASTIC HANDLE

REF	PART	DESCRIPTION	MODEL
17	871129	BIN EGG/ICE MOULD	
18	883121	DIVIDER BOTTLE RAIL WHITE	
19	882653	RAIL BOTTLE SUPPORT 790	
20	876281	PLUG DOOR SHELF WHITE	
21	882100	SHELF DOOR LARGE 790	
22	883735P	GASKET PC LTGY E521T PUSHIN 775X1163	
23	883095	HANDLE DR SMALL LHT/RHB WH	
	883097	HANDLE DR SMALL RHT/LHB WH	
	883101	HANDLE DR SMALL LHB RHT SL	
	883102	HANDLE DR SMALL LHT RHB SL	
24	* SP0008	SCREW 6X12 AB TRUSS PH ST ZP	
25	880581	PLUG HANDLE WHITE	
	881010	PLUG HANDLE SANDSTONE	
26	883096	HANDLE DR LARGE LHT/RHB WH	
	883098	HANDLE DR LARGE LHB/RHT WH	
	883099	HANDLE DR LARGE LHT RHB SL	
	883100	HANDLE DR LARGE LHB RHT SL	
27	881160	SCREW 8X3/4 PAN PH ST ZP	
28	881075	CAP HANDLE SCREW WHITE	
	881398	CAP HANDLE SCREW SILVER	
29	884048	BOOKLET USE & CARE ACTV SMART	
	883593	BOOKLET USE & CARE EXPORT-ASIA	
30	878428	LEAFLET WARRANTY EXPORT	
	883881	LEAFLET WARRANTY NZ/AUST	

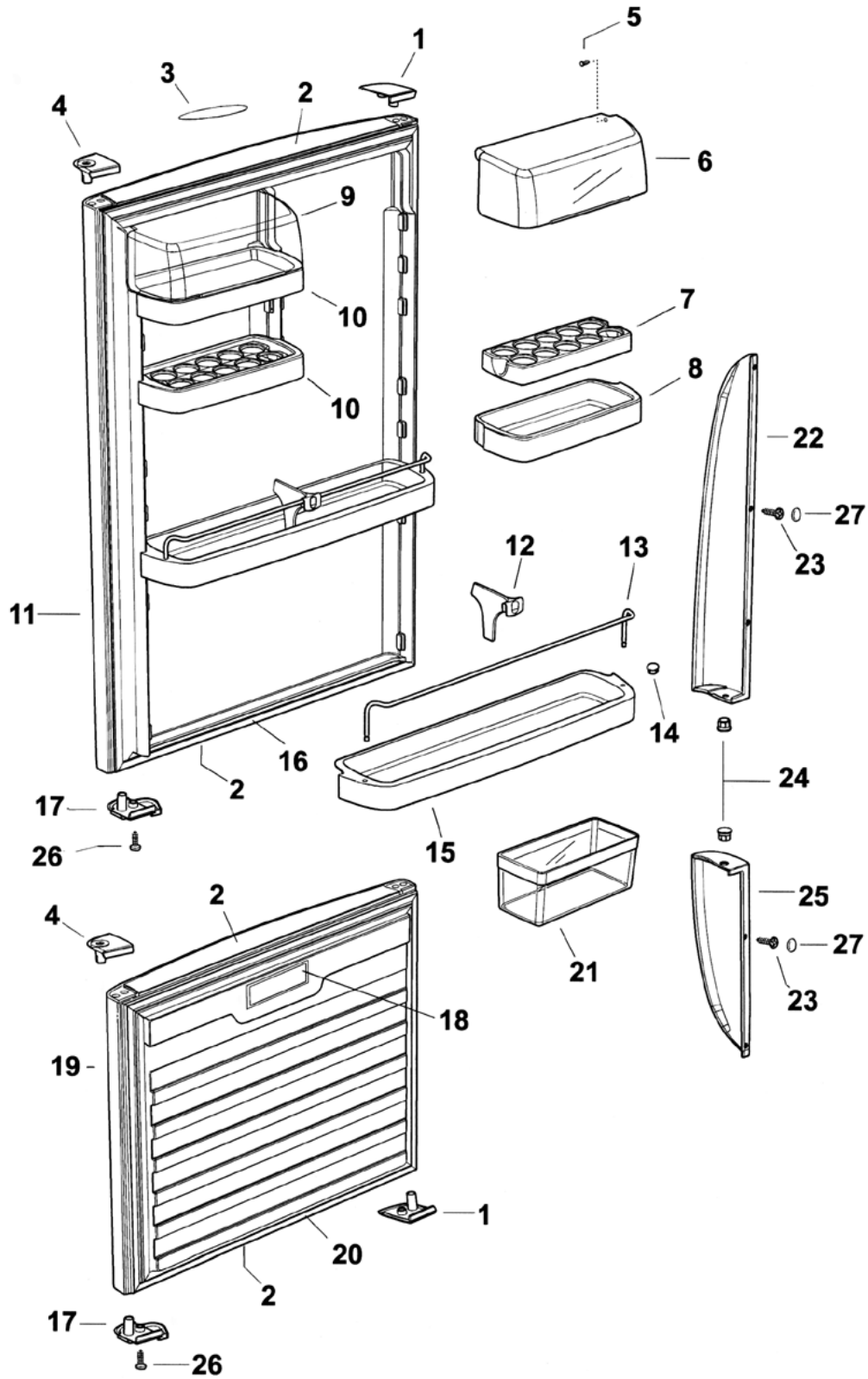
DOORS BTM FZR-WITH CURVED PLASTIC HANDLE



DOORS BTM FZR-WITH CURVED PLASTIC HANDLE

REF	PART	DESCRIPTION	MODEL
1	883717	COVER HGE DR RHT/LHB WH LIP 680/790	
	883718	COVER HGE DR LHT/RHB WH LIP 680/790	
	883721	COVER HGE DR RHT/LHB SA LIP 680/790	
	883722	COVER HGE DR LHT/RHB SA LIP 680/790	
2	883672	CAP DOOR END OUTER WH 790	
	883675	CAP DOOR END OUTER SA 790	
3	883793	NAMEPLATE F&P ELEG/TASMAN	
4	883660	BEARING HINGE RH WH LIP 680/790	
	883661	BEARING HINGE LH WH LIP 680/790	
	883664	BEARING HINGE RH SA LIP 680/790	
	883665	BEARING HINGE LH SA LIP 680/790	
5	871123	PLUG/PIN HINGE DAIRY COVER	
6	882141	COVER DOOR SHELF 790 RH	
7	882323	SHELF EGG RACK	
8	882146	SHELF DOOR SML RH 790	
9	882140	COVER DOOR SHELF 790 LH	
10	882145	SHELF DOOR SML LH 790	
11	310031P	DOOR PC WW790X1030 BS E522B	
	883672	CAP DOOR END OUTER WH 790	
	883315	MAGNET DOOR SW 20X25X5MM	
	315025P	DOOR PC SA 790 X 1030 BS E522B	
	883675	CAP DOOR END OUTER SA 790	
	883315	MAGNET DOOR SW 20X25X5MM	
12	883121	DIVIDER BOTTLE RAIL WHITE	
13	882653	RAIL BOTTLE SUPPORT 790	
14	876281	PLUG DOOR SHELF WHITE	
15	882100	SHELF DOOR LARGE 790	
16	883739P	GASKET PC LTGY E522B PUSHIN 775X990	
17	881455	BEARING DR CLOSE RH WH 680/790	
	881456	BEARING DR CLOSE LH WH 680/790	
	881459	BEARING DR CLOSE RH SA 680/790	
	881460	BEARING DR CLOSE LH SA 680/790	
18	874706	LABEL FREEZER GUIDE BLU 55X150	
19	* 310033P	DOOR FC WW 790 X 613 BS E522B	
	883672	CAP DOOR END OUTER WH 790	
	883315	MAGNET DOOR SW 20X25X5MM	
	315029P	DOOR FC SA 790 X 613 BS E522B	
	883675	CAP DOOR END OUTER SA 790	
	883315	MAGNET DOOR SW 20X25X5MM	
20	883740P	GASKET FC LTGY E522B PUSHIN 775X573	

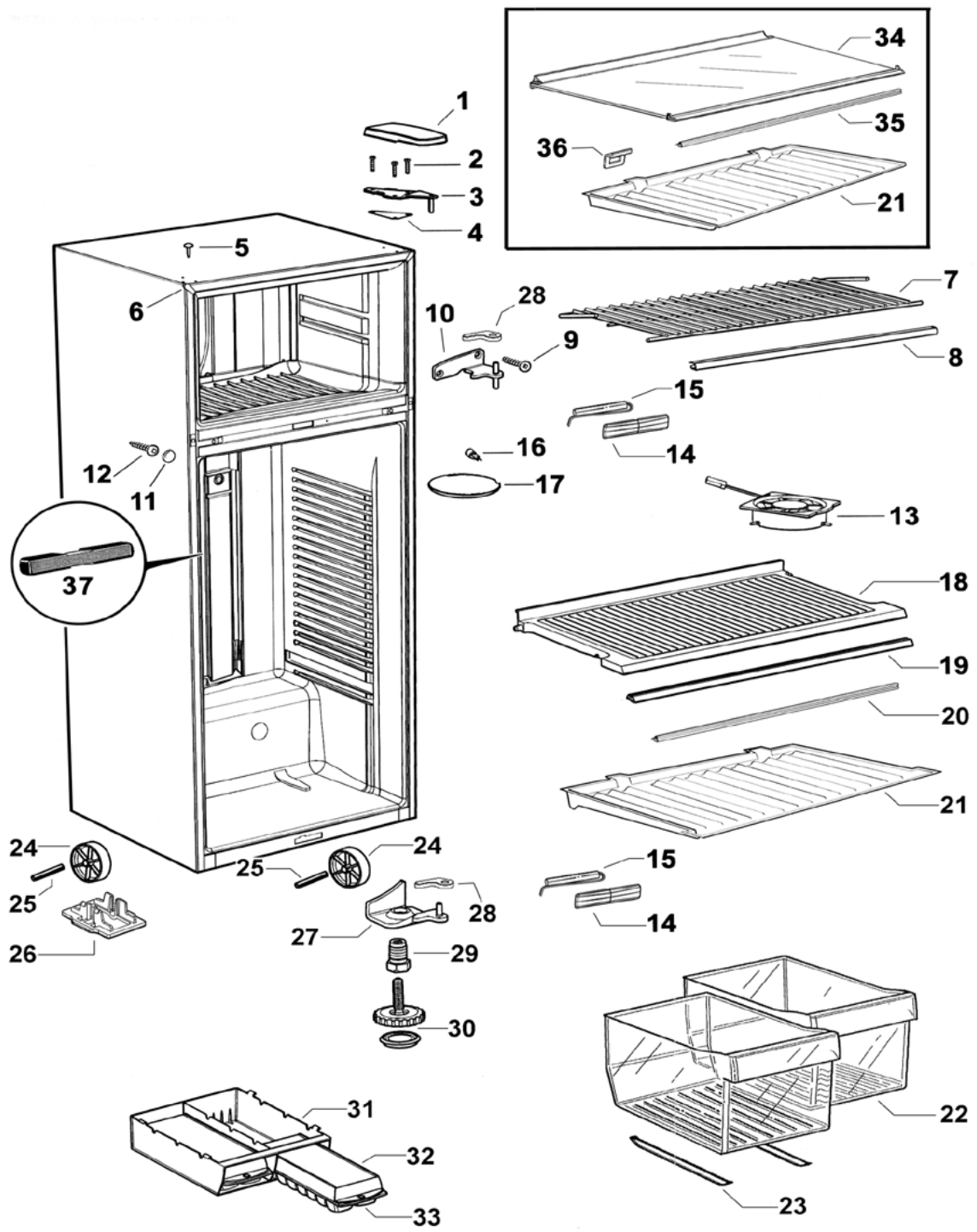
DOORS BTM FZR-WITH CURVED PLASTIC HANDLE



DOORS BTM FZR-WITH CURVED PLASTIC HANDLE

REF	PART	DESCRIPTION	MODEL
21	871129	BIN EGG/ICE	
22	883096	HANDLE DR LARGE LHT/RHB WH	
	883098	HANDLE DR LARGE LHB/RHT WH	
	883099	HANDLE DR LARGE LHT RHB SL	
	883100	HANDLE DR LARGE LHB RHT SL	
23	* SP0008	SCREW 6X12 AB TRUSS PH ST ZP	
24	880581	PLUG HANDLE WHITE	
	881010	PLUG HANDLE SANDSTONE	
25	883095	HANDLE DR SMALL LHT/RHB WH	
	883097	HANDLE DR SMALL RHT/LHB WH	
	883101	HANDLE DR SMALL LHB RHT SL	
	883102	HANDLE DR SMALL LHT RHB SL	
26	881160	SCREW 8X3/4 PAN PH ST ZP	
27	881075	CAP HANDLE SCREW WHITE	
	881398	CAP HANDLE SCREW SILVER	

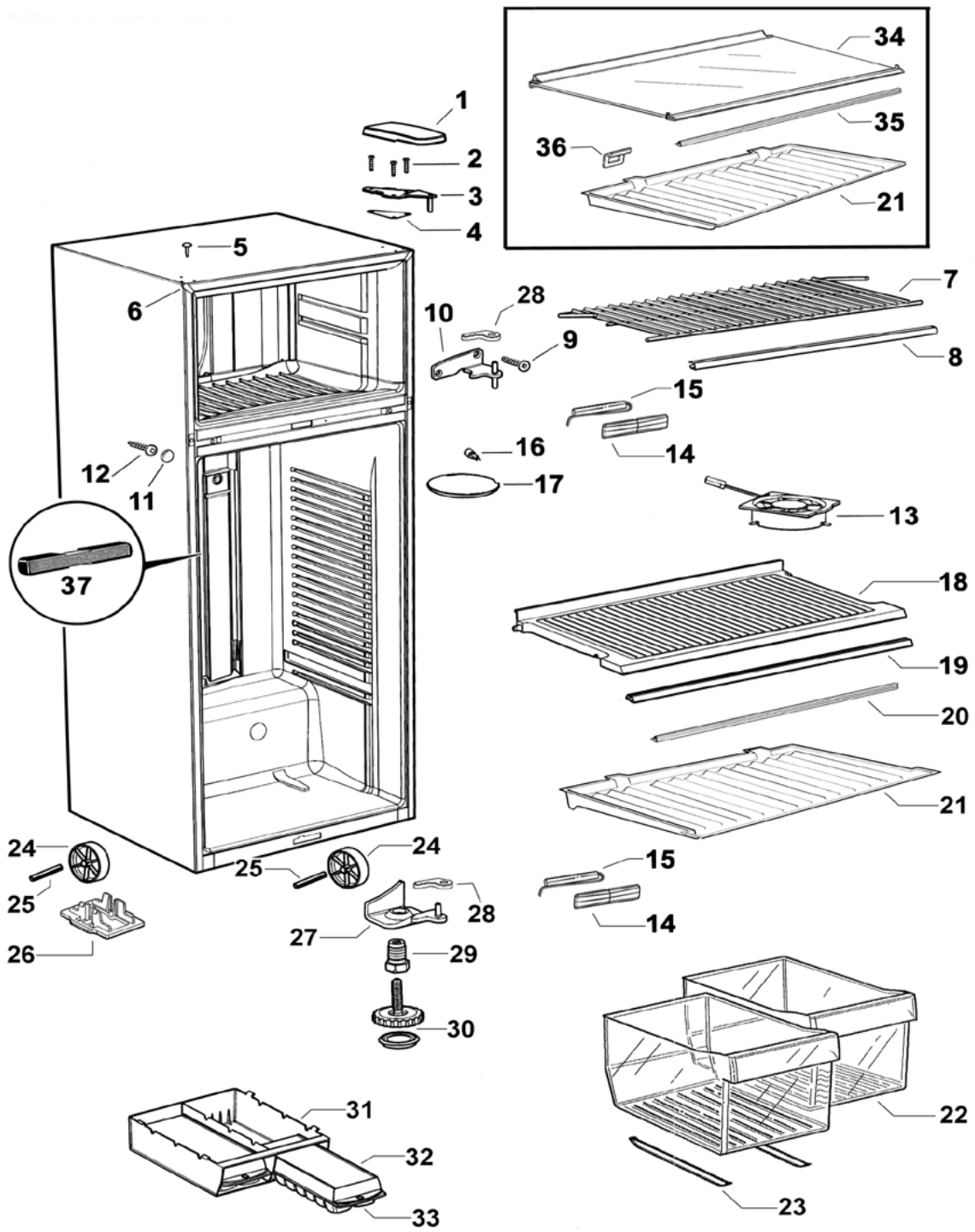
CABINET TOP FREEZER



CABINET TOP FREEZER

REF	PART	DESCRIPTION	MODEL
1	880490	COVER TOP HINGE WHITE	
	880681	COVER TOP HINGE SANDSTONE	
	881314	COVER TOP HINGE CHARCOAL	
2	610312	SCREW MC M5X20 HEX PH MS ZNPL	
3	880526	BRACKET TOP HINGE ASSY	
4	882355	GASKET TOP HINGE	
5	881131	PLUG TAPPED HOLE WHITE	
	881132	PLUG TAPPED HOLE SANDSTONE	
5	881209	PLUG TAPPED HOLE CHARCOAL	
6	871504	TRIM CORNER WHITE	
	883590	TRIM CORNER RECESSED WHITE	
	871503	TRIM CORNER SANDSTONE	
	883592	TRIM CORNER RECESSED SANDSTONE	
6	881243	TRIM CORNER CHARCOAL	
	883591	TRIM CORNER RECESSED CHARCOAL	
7	877927	SHELF TOP FC WHITE 790	
8	877702	TRIM SHELF PC 790 WHITE	
9	880656	SCREW 10GX25CSK SQ SS	
10	881283	BRACKET CENTRE HINGE RH	
	881286	BRACKET CENTRE HINGE LH	
11	880595	CAP SCREW CROSS RAIL WHITE	
	880684	CAP SCREW CROSS RAIL SANDSTONE	
12	881295	CAP SCREW CROSS RAIL CHARCOAL	
12	880655	SCREW 10X19 AB #2 SQ ZN NP	
13	881438P	FAN & HOUSING PC ASSY ST4	
	*	878582 SPRING FAN SUSPENDED PC FP107/1	
	*	883846 HOUSING FAN SUSPENDED	
		881592 CAP FEMALE 51139-0200 MLX	
		881598 PIN 20-26AWG 50600-8100 MLX	
		883340 MOTOR FAN DC SUSP PC ASSY ST4	
14	881420	COVER REED SWITCH ST4 WH	
	881421	COVER REED SWITCH ST4 SA B/PANEL	
15	881223P	SWITCH REED FIELD FIX KIT ST4	
16	874017	LAMP HALOGEN PC	
17	875318	COVER LAMP PC	
18	880263	SHELF PC & STIFFENER ASSY 790	
		882064 SHELF PC PLASTIC 790	
		882624 EXTRUSION PC SHELF STIFFENER 790	
19	882624	EXTRUSION PC SHELF STIFFENER 790	
20	876701	EXTRUSION SUPPORT HCL 635/790	
21	882200	LID CRISPER HUMIDITY 790T	
22	882103	BIN CRISPER 790T	

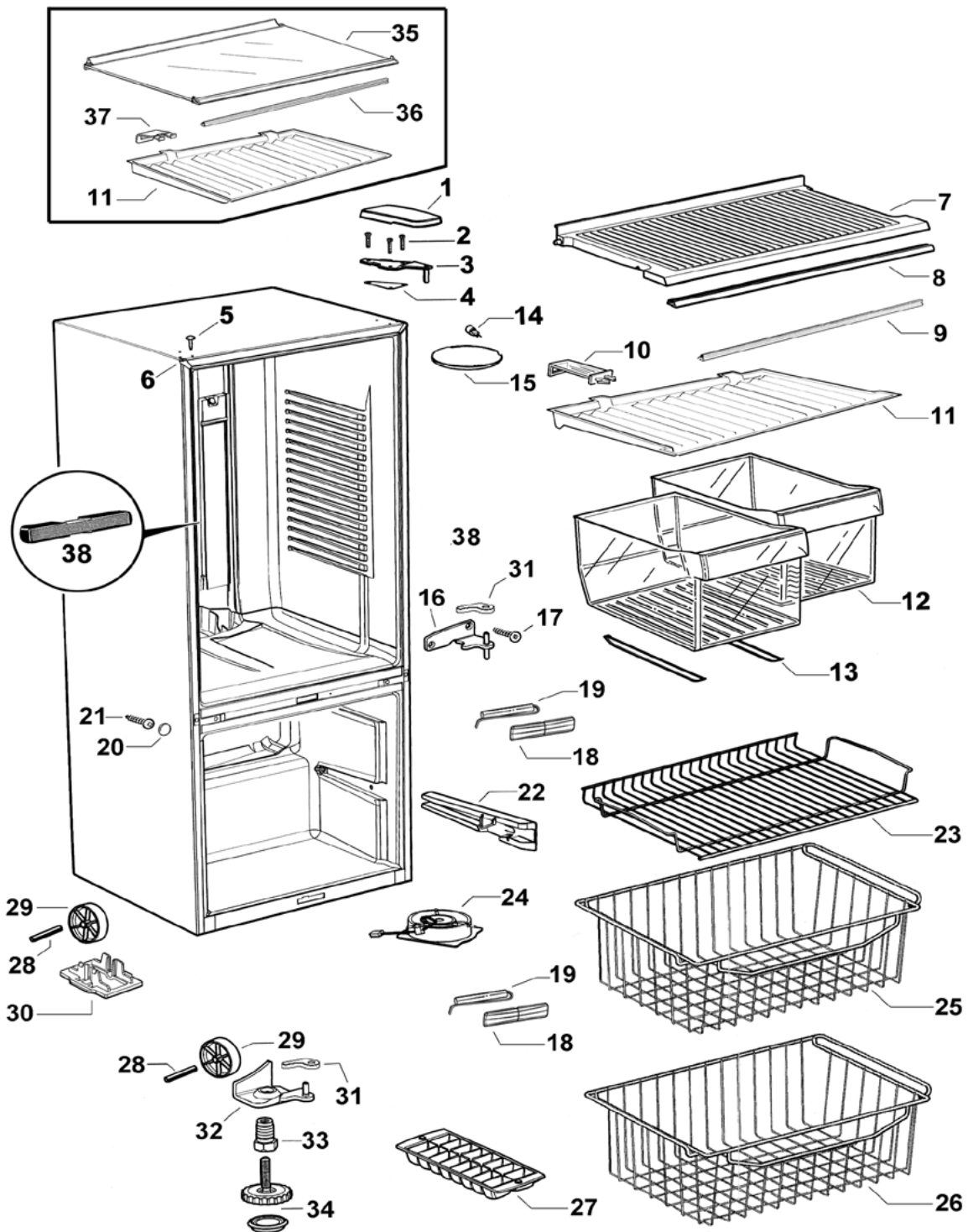
CABINET TOP FREEZER



CABINET TOP FREEZER

REF	PART	DESCRIPTION	MODEL
23	882352	FOOT RUNNER CRISPER T MODL 790	
24	871132	FOOT ROLLER REAR	
25	871017	PIN ROLLER PLATED	
26	315090P	KIT WHEEL BRACKET CLIP	
	871017	<i>PIN ROLLER PLATED</i>	
	880545	<i>ROLLER FOOT FRONT</i>	
	881480	<i>CLIP WHEEL BRACKET</i>	
27	881274	BRACKET BTM HINGE RH	
	881277	BRACKET BTM HINGE LH	
28	883988	CAP DOOR CLOSING RH HGE BRKT	
	883989	CAP DOOR CLOSING LH HGE BRKT	
29	880959	BOLT BTM HINGE BRKT	
30	880512	FOOT LEVELLING ASSEMBLY	
	880519	<i>BASE LEVELLING FOOT</i>	
31	872963	TRAY ICE HOLDER	
32	874108	TRAY ICE LID	
33	874107	TRAY ICE BASE	
34	882209	SHELF GLASS ASSY PC WH 790	
	881261	<i>PLUG REAR EXTRUSION RH</i>	
	881262	<i>PLUG REAR EXTRUSION LH</i>	
	881302	<i>PLUG FRT EXTRUSION RH 680/790</i>	
	881303	<i>PLUG FRT EXTRUSION LH 680/790</i>	
	883452	<i>SHELF GLASS SAFETY PC 790</i>	
	883454	<i>EXTRUSN FRT GLASS SHELF WH 790</i>	
	883456	<i>EXTRUSN REAR GLAS SHELF WH 790</i>	
	881299	SHELF GLASS PC SC ASSY 790	
	881261	<i>PLUG REAR EXTRUSION RH</i>	
	881262	<i>PLUG REAR EXTRUSION LH</i>	
	881302	<i>PLUG FRT EXTRUSION RH 680/790</i>	
	881303	<i>PLUG FRT EXTRUSION LH 680/790</i>	
	883452	<i>SHELF GLASS SAFETY PC 790</i>	
	883453	<i>EXTRUSN FRT GLASS SHELF SC 790</i>	
	883455	<i>EXTRUSN REAR GLAS SHELF SC 790</i>	
35	881267	EXTRUSION HCL SUPPORT 790	
36	881269	BRACKET HCL SUPPORT T MODL GL SH	
37	883944	FILTER DEODORISER & FOAM ASSY	

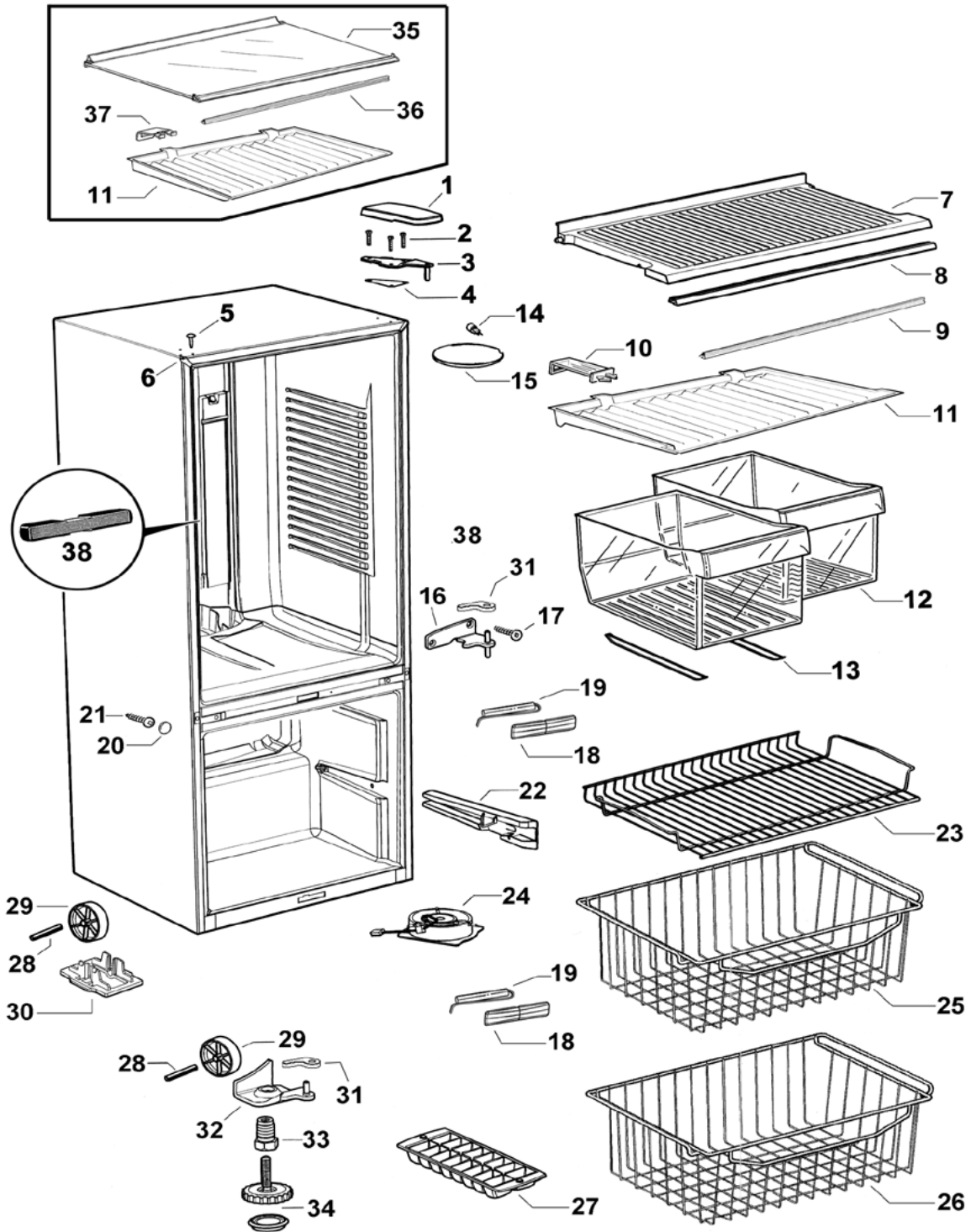
CABINET BOTTOM FREEZER



CABINET BOTTOM FREEZER

REF	PART	DESCRIPTION	MODEL
1	880490	COVER TOP HINGE WHITE	
	880681	COVER TOP HINGE SANDSTONE	
	881314	COVER TOP HINGE CHARCOAL	
2	610312	SCREW MC M5X20 HEX PH MS ZNPL	
3	880526	BRACKET TOP HINGE ASSY	
4	882355	GASKET TOP HINGE	
5	881131	PLUG TAPPED HOLE WHITE	
	881132	PLUG TAPPED HOLE SANDSTONE	
5	881209	PLUG TAPPED HOLE CHARCOAL	
6	871504	TRIM CORNER WHITE	
	883590	TRIM CORNER RECESSED WHITE	
	871503	TRIM CORNER SANDSTONE	
	883592	TRIM CORNER RECESSED SANDSTONE	
	881243	TRIM CORNER CHARCOAL	
	883591	TRIM CORNER RECESSED CHARCOAL	
7	880263	SHELF PC & STIFFENER ASSY 790	
	882064	SHELF PC PLASTIC 790	
	882624	EXTRUSION PC SHELF STIFFENER 790	
8	882624	EXTRUSION PC SHELF STIFFENER 790	
9	876701	EXTRUSION SUPPORT HCL 635/790	
10	882561	BRACKET HUMIDITY CONTROL LID	
11	882201	LID CRISPER HUMIDITY 790B	
12	875309	BIN CRISPER 790B MODEL	
13	875287	FOOT CRISPER RUNNER B MODEL	
14	874017	LAMP HALOGEN PC	
15	875318	COVER LAMP PC	
16	881283	BRACKET CENTRE HINGE RH	
	881286	BRACKET CENTRE HINGE LH	
17	880656	SCREW 10GX25CSK SQ SS	
18	881420	COVER REED SWITCH ST4 WHITE	
	881421	COVER REED SWITCH ST4 SANDSTONE	
	881422	COVER REED SWITCH ST4 CHARCOAL	
19	881223P	SWITCH REED FIELD FIX KIT ST4	
20	880595	CAP SCREW CROSS RAIL WHITE	
	880684	CAP SCREW CROSS RAIL SANDSTONE	
	881295	CAP SCREW CROSS RAIL CHARCOAL	
21	880655	SCREW 10X19 AB 2 SQ ZN NP	
22	871145	RUNNER ASSY FC BASKET B MODL RH	
	855143	WHEEL BASKET SUPPORT B VF	
	901323	PIN FC BASKET RUNNER P42	
	871146	RUNNER ASSY FC BASKET B MODL LH	
	855143	WHEEL BASKET SUPPORT B VF	
	901323	PIN FC BASKET RUNNER P42	

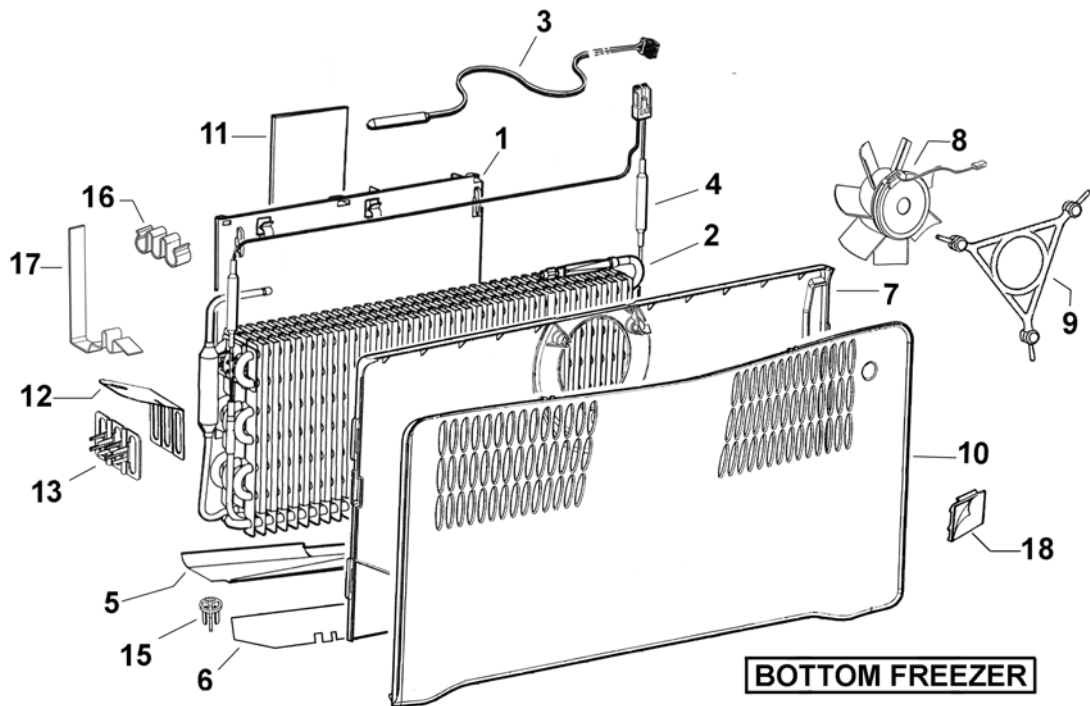
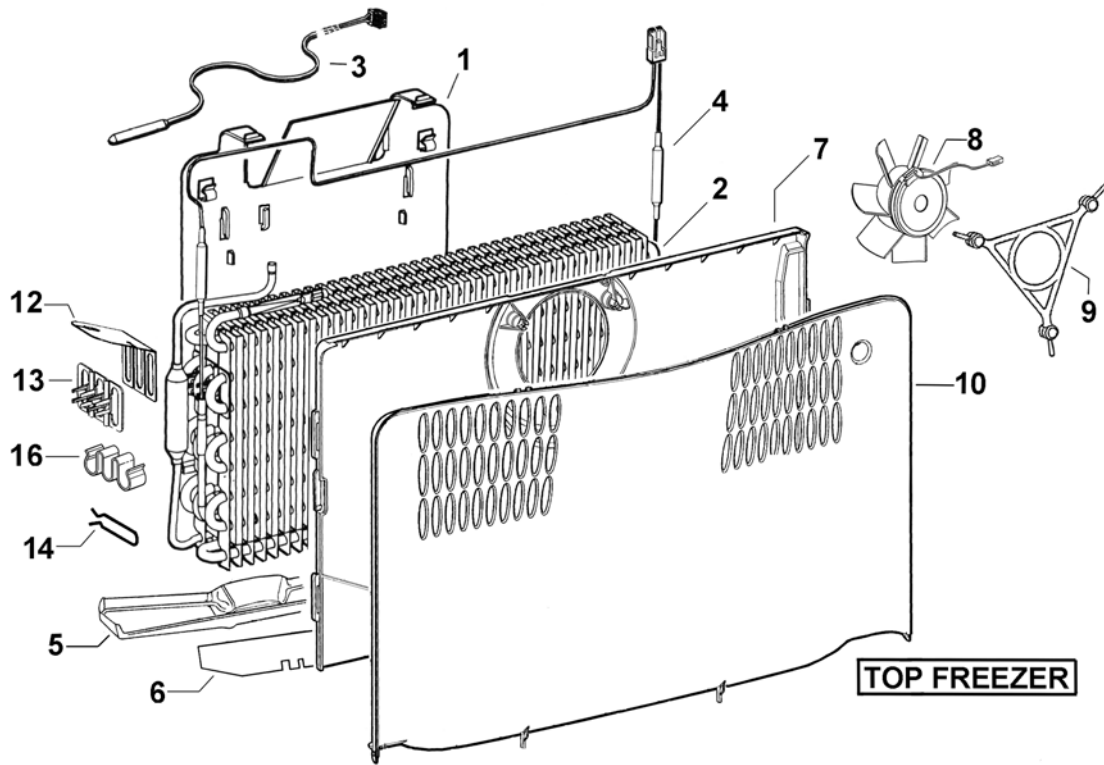
CABINET BOTTOM FREEZER



CABINET BOTTOM FREEZER

REF	PART	DESCRIPTION	MODEL
23	877930	SHELF FC B MODEL 790	
24	881438P	FAN & HOUSING PC ASSY ST4	
	*	878582 <i>SPRING FAN SUSPENDED PC FP107/1</i>	
	*	883846 <i>HOUSING FAN SUSPENDED</i>	
		881592 <i>CAP FEMALE 51139-0200 MLX</i>	
		881598 <i>PIN 20-26AWG 50600-8100 MLX</i>	
		883340 <i>MOTOR FAN DC SUSP PC ASSY ST4</i>	
25	877936	BASKET FC TOP B MODEL 790	
26	877933	BASKET FC BTTM B MODEL 790	
27	874107	TRAY ICE BASE	
28	871017	PIN ROLLER PLATED	
29	880545	ROLLER FOOT	
30	315090P	KIT WHEEL BRACKET CLIP	
		871017 <i>PIN ROLLER PLATED</i>	
		880545 <i>ROLLER FOOT FRONT</i>	
		881480 <i>CLIP WHEEL BRACKET</i>	
31	883988	CAP DOOR CLOSING GREY RH HGE BRKT	
	883989	CAP DOOR CLOSING GREY LH HGE BRKT	
32	881274	BRACKET BOTTOM HINGE RH	
	881277	BRACKET BOTTOM HINGE LH	
33	880959	BOLT BOTTOM HINGE BRACKET	
34	880512	FOOT LEVELLING ASSEMBLY	
		880519 <i>BASE LEVELLING FOOT</i>	
35	882209	SHELF GLASS ASSY PC WH 790	
		881261 <i>PLUG REAR EXTRUSION RH</i>	
		881262 <i>PLUG REAR EXTRUSION LH</i>	
		881302 <i>PLUG FRT EXTRUSION RH 680/790</i>	
		881303 <i>PLUG FRT EXTRUSION LH 680/790</i>	
		883452 <i>SHELF GLASS SAFETY PC 790</i>	
		883454 <i>EXTRUSN FRT GLASS SHELF WH 790</i>	
		883456 <i>EXTRUSN REAR GLAS SHELF WH 790</i>	
	881299	SHELF GLASS PC SC ASSY 790	
		881261 <i>PLUG REAR EXTRUSION RH</i>	
		881262 <i>PLUG REAR EXTRUSION LH</i>	
		881302 <i>PLUG FRT EXTRUSION RH 680/790</i>	
		881303 <i>PLUG FRT EXTRUSION LH 680/790</i>	
		883452 <i>SHELF GLASS SAFETY PC 790</i>	
		883453 <i>EXTRUSN FRT GLASS SHELF SC 790</i>	
		883455 <i>EXTRUSN REAR GLAS SHELF SC 790</i>	
36	881267	EXTRUSION HCL SUPPORT 790	
37	881268	BRACKET HCL SUPPORT B GL SH	
38	883944	FILTER DEODORISER & FOAM ASSY	

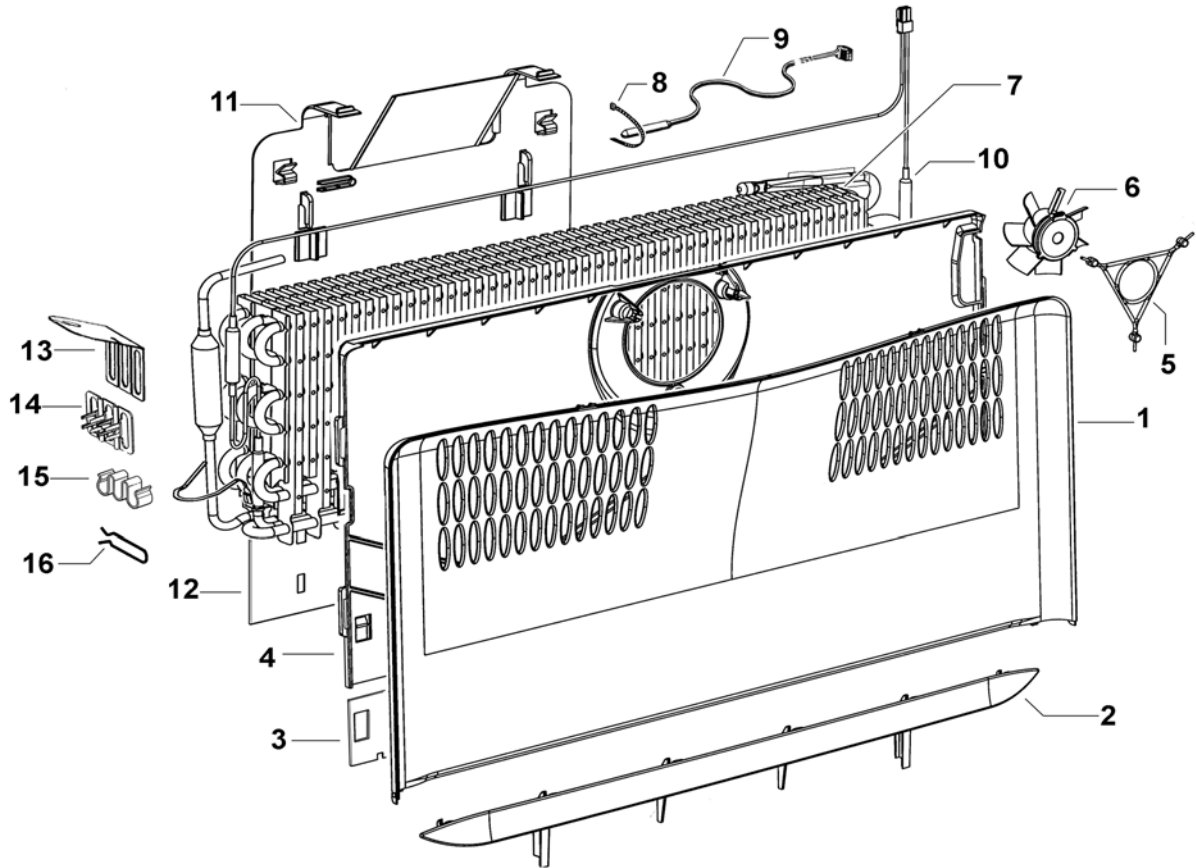
FAN, COVERS AND EVAPORATOR ASSEMBLIES



FAN, COVERS AND EVAPORATOR ASSEMBLIES

REF	PART	DESCRIPTION	MODEL
1	880495	CHASSIS EVAPORATOR ELECT T MODEL	
	880494	CHASSIS EVAPORATOR ELECT B MODEL 790	
2	881437P	EVAPORATOR SERV KIT 790 ST4 (Defrost Heater	not included)
	<i>Includes 883863</i>	<i>JOINER CAPILLARY</i>	
	<i>883864</i>	<i>CAPILLARY SHORT 200MM</i>	
3	855203P	SENSOR KIT ASSY	
4	884124P	HEATER DEF & FUSE RED LEAD 790 110V	
	*	<i>883349 CLIP DEFROST HEATER B MODEL EVAP (2)</i>	
	*	<i>883350 CLIP DEFROST HEATER T MODEL EVAP (2)</i>	
		<i>883756 LEAFLET INSTRUCTION 790B DEFROST HTR</i>	
	*	<i>855305 HARNESS ADAPTOR DEFROST HEATER</i>	
		<i>900325 TIE PLASTIC 140MM (2)</i>	
	884125P	HEATER DEF & FUSE YELLOW LEAD 790 240V	
	*	<i>883349 CLIP DEFROST HEATER B MODEL EVAP (2)</i>	
	*	<i>883350 CLIP DEFROST HEATER T MODEL EVAP (2)</i>	
		<i>883756 LEAFLET INSTRUCTION 790B DEFROST HTR</i>	
	*	<i>855305 HARNESS ADAPTOR DEFROST HEATER</i>	
		<i>900325 TIE PLASTIC 140MM (2)</i>	
5	873953	SHIELD DRAIN HEATER DEFROST 790B	
	874163	SHIELD DRAIN HEATER DEFROST 790T	
6	880279	SHIELD HEATER FC COVER	
7	* 882843	COVER ASSY FAN FC REAR 790	
8	881409P	FAN MOTOR DC SUSP FC ASSY	
		<i>881592 CAP FEMALE 51139-0200 MLX</i>	
		<i>881598 PIN 20-26AWG 50600-8100 MLX</i>	
		<i>883341 FAN MOTOR DC SUSP FC ASSY</i>	
9	* 882956	SPRING FAN SUSPD FC TRIANGULAR	
10	873396	COVER FAN FC FRONT E790 T MODEL	
	873395	COVER FAN FC FRONT E790 B MODEL	
11	883755P	HEAT CHASSIS KIT 790 B MODEL	
		<i>883349 CLIP DEFROST HEATER B MODL EVAP (1)</i>	
12	880724	DEFLECTOR AIR FLOW	
13	871463	CLIP TUBE EVAP PLASTIC	
14	855299	CLIP HEATER 20MM EVAP FIN	
15	876771	FILTER 'P' CATCHER DRAIN	
16	* 883350	CLIP DEFROST HEATER T MODEL EVAP	
17	* 883349	CLIP DEFROST HEATER B MODEL EVAP	
18	900236	CLIP CABLE FASTEX C2 100 0235	

FAN, COVERS AND EVAPORATOR, - TWIN PC RETURN AIR DUCT SYSTEM

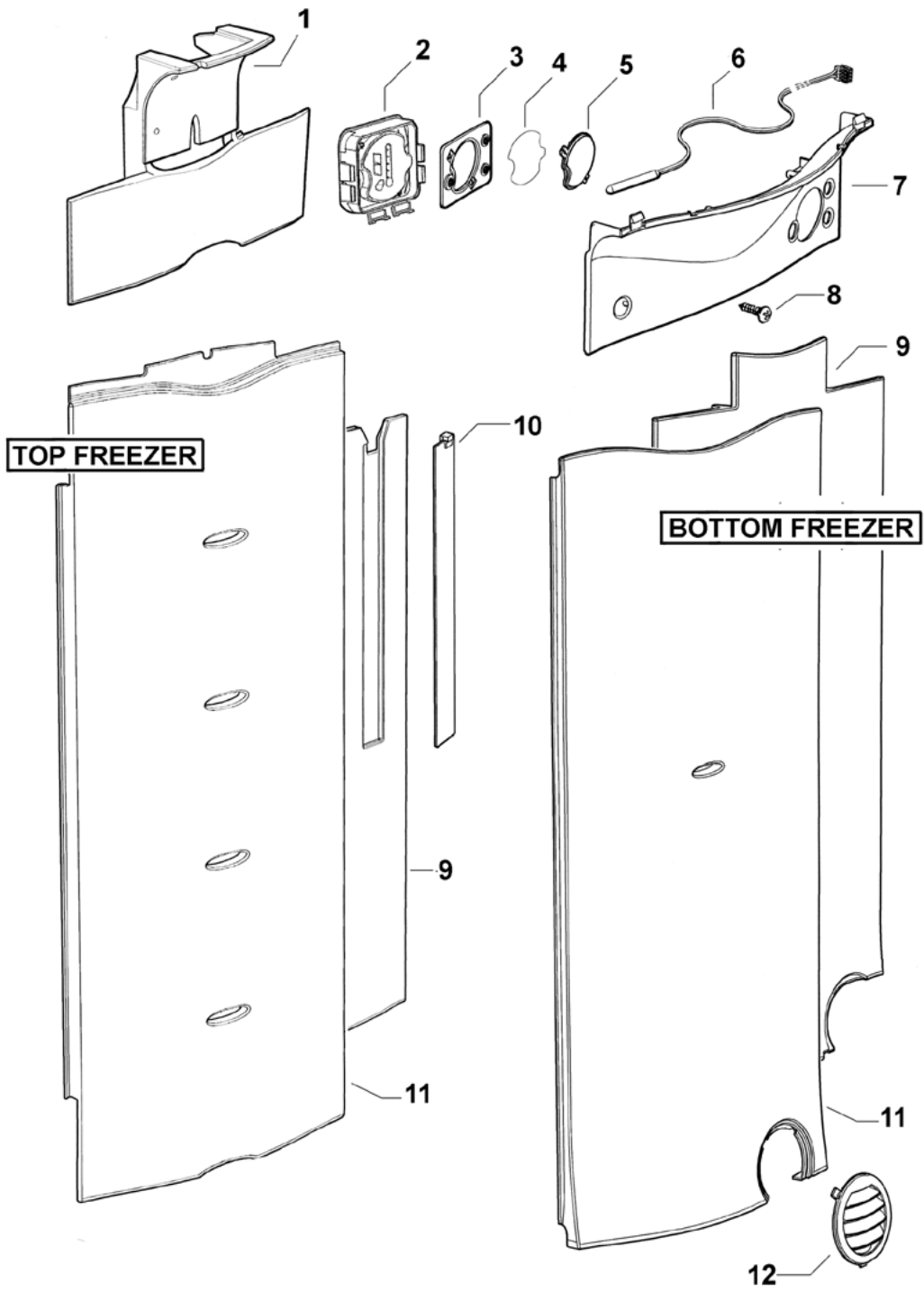


**TOP FREEZER MODEL E521T
WITH TWIN PC RETURN AIR DUCT SYSTEM**

FAN, COVERS & EVAPORATOR – TWIN PC RETURN AIR DUCT SYSTEM

REF	PART	DESCRIPTION	MODEL
1	883688	COVER FAN FC FRONT 790T	
2	883693	COVER VENT 790T	
3	883783	SHIELD FC REAR COVER	
4	* 882843	COVER ASSY FAN FC REAR 790	
5	* 882956	SPRING FAN SUSPENDEED FC FP111	
6	881409P	FAN MOTOR DC SUSP FC ASSY	
	881592	CAP FEMALE 51139-0200 MLX	
	881598	PIN 20-26AWG 50600-8100 MLX	
	883341	FAN MOTOR DC SUSP FC ASSY	
7	881437P	EVAPORATOR SERV KIT 790 ST4 (Defrost Heater	not included)
	<i>Includes 883863</i>	<i>JOINER CAPILLARY</i>	
	883864	CAPILLARY SHORT 200MM	
8	900325	TIE PLASTIC 140MM	
9	855203P	SENSOR KIT ASSY	
10	884125P	HEATER DEF & FUSE YELLOW LEAD 790 240V	
	* 883349	CLIP DEFROST HEATER B EVAP (2)	
	* 883350	CLIP HEATER DEFROST T EVAP (2)	
	883756	LEAFLET INSTRUCTION 790B DEF HTR	
	* 855305	HARNESS ADAPTOR DEFROST	
	900325	TIE PLASTIC 140MM (2)	
11	880495	CHASSIS EVAP ELECT T MODEL	
12	883791	SHIELD EVAP CHASS T MODEL	
13	880724	FLOW DEFLECTOR	
14	871463	CLIP TUBE EVAP PLASTIC	
15	* 883350	CLIP HEATER DEFROST T EVAP	
16	855299	CLIP HEATER 20MM EVAP FIN	
NI	883780	SUCTION & CAPILLARY 790T	

ELECTRONIC MODULE AND DUCT COVERS

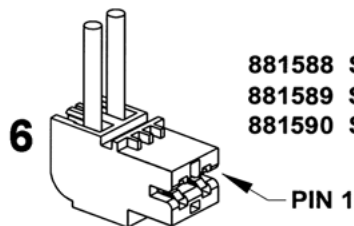
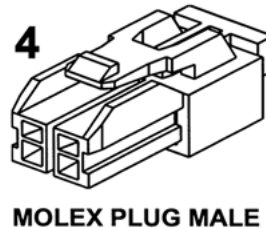
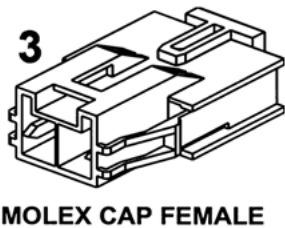
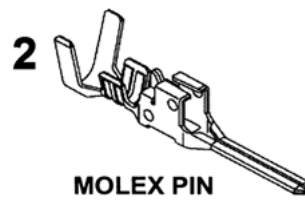
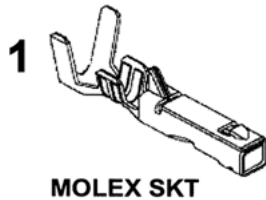


ELECTRONIC MODULE AND DUCT COVERS

REF	PART	DESCRIPTION	MODEL
1	880759	INSULATION COVER DUCT TOP T MOD	E521T
2	881218P	MODULE DISPLAY – BC ST4	
3	880779	GASKET DISPLAY MODULE	
4	883448	INSERT GRAPHICS DISPLAY	
5	883449	LENS CLEAR-DISPLAY MODULE	
6	855203P	SENSOR KIT ASSY	
7	883331	COVER DUCT TOP T MODEL HS	
	883332	COVER DUCT TOP B MODEL HS	
8	900475	SCREW 8X16.4MM SP PAN NIB ST	
9	880259	INSULATION COVER DUCT LONG T	E521T
	877840	INSULATION COVER DUCT B680/790	E522B
10	880571	HEATER PCB LOW AMB T MODELS	
11	873583	COVER DUCT T MODEL LONG	E521T
	880358	COVER DUCT B MODEL	E522B
12	877922	COVER PC RETURN AIR B MODL 790	E522B

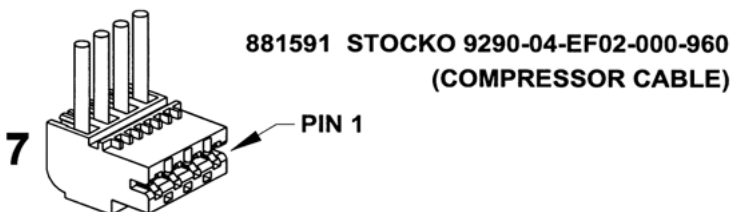
ACTV SMART ST4 TERMINALS PLUGS & SOCKETS

ACTIVE SMART STAGE 4 TERMINALS, PLUGS AND SOCKETS



881588 STOCKO 9290-02-AB01-000-960 (Mains cord)
881589 STOCKO 9290-02-BA01-000-960 (Defrost Heater)
881590 STOCKO 9290-02-EE01-000-960 (Run Capacitor)

NOTE THAT IN THE PART NAMES OF THESE CONNECTORS, THE -02- REFERS TO IT BEING A 2 WAY CONNECTOR, AND THE -AB01- (FOR EXAMPLE) REFERS TO THE CODING OF THE CONNECTOR. STOCKO IS THE MANUFACTURER OF THESE CONNECTORS.

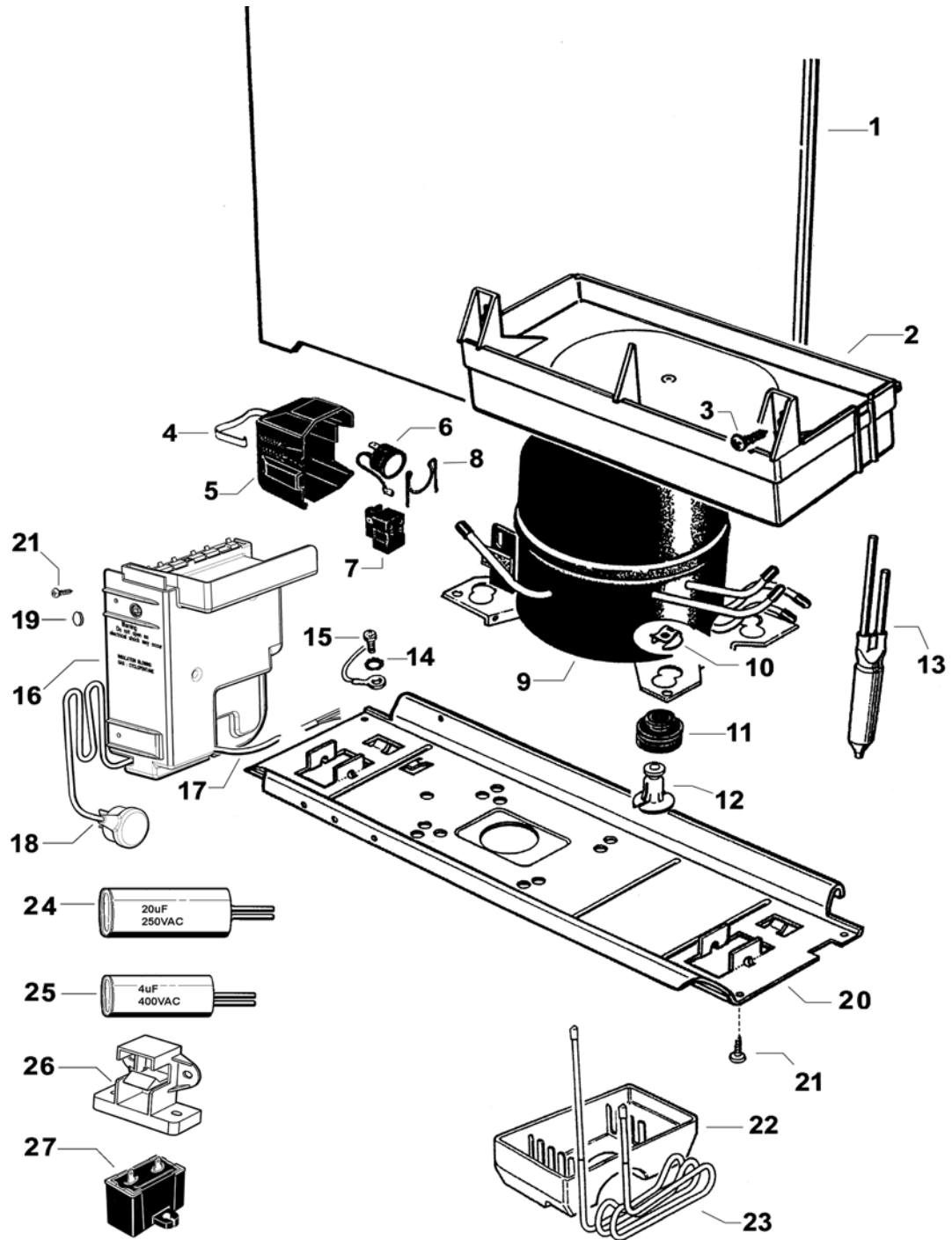


NOTE: TO MINIMISE THE NUMBER OF SPARE PARTS THAT NEED TO BE CARRIED, THESE CODED CONNECTORS ARE TO BE REPLACED WITH THEIR UN-CODED EQUIVALENTS. FOR THE 3, 5 AND 6 WAY CONNECTORS USED ON STAGE 4 CABINETS

ACTV SMART ST4 TERMINALS PLUGS & SOCKETS

REF	PART	DESCRIPTION
1	881595	SOCKET 16-22AWG 50597-8100 MLX
	881596	SOCKET 20-26AWG 50598-8100 MLX
2	881597	PIN 16-22AWG 50599-8100 MLX
	881598	PIN 20-26AWG 50600-8100 MLX
3	881592	CAP FEMALE 51139-0200 MLX
4	881593	PLUG MALE 51138-0200 MLX
5	881594	RETAINER 51140-0205 MLX
6	881588	CONNECTOR RAST 9290-02-AB01
	881589	CONNECTOR RAST 9290-02-BA01
	881590	CONNECTOR RAST 9290-02-EE01
7	881591	CONNECTOR RAST 9290-04-EF02
8	873243	CONNECTOR RAST 7234-012-500
	873247	CONNECTOR RAST 7234-006-500
	873248	CONNECTOR RAST 7234-010-500
	873250	CONNECTOR RAST 7234-004-500
	873251	CONNECTOR RAST 7234-003-500
	873279	CONNECTOR RAST 7234-008-500
	881135	CONNECTOR RAST 7234-005-500
	881136	CONNECTOR RAST 7234-014-500
	881137	CONNECTOR RAST 7234-017-502
		NOTE: THE NUMBERS IN THE DESCRIPTION OF THE RAST CONNECTOR DENOTES THE NUMBER OF CONNECTIONS
		EXAMPLE: 7234- 017 -502 =17 WAY CONNECTOR

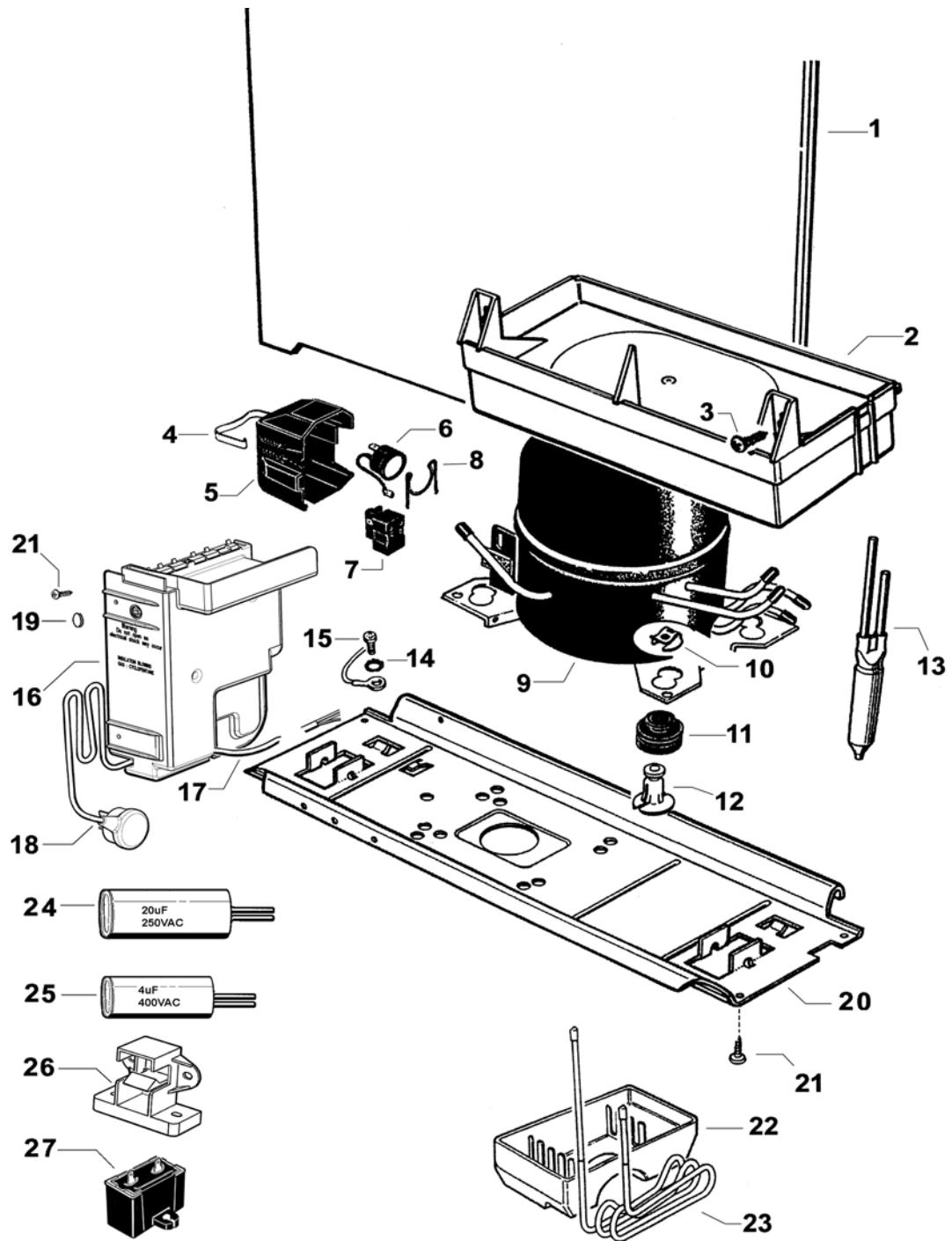
COMPRESSOR AND POWER MODULE



COMPRESSOR AND POWER MODULE

REF	PART	DESCRIPTION	MODEL
1	882137	PANEL BACK & CONDENSER ASSEMBLY	
2	876653	TRAY WATER EVAPORATOR NOTCHED	
	880884	TRAY WATER EVAP TOP HAT	
3	SP0201P	SCREW 8X12 PAN PH NIB PKT10	
4	209673	CLAMP PROTECTOR COVER MAT	
5	209078	COVER PROTECTOR COMPRESSOR MAT	
	209995	PROTECTOR COVER EMBRACO	
6	207067	O/LOAD EMB 4TM762MFBYY EGU90 115V	
	207075	O/LOAD MAT DB73 110V 60HZ	
	209084	O/LOAD MM3-28GCF	
	209994	O/LOAD 283KFBYY FGS90	
7	207068	RELAY PTC EMB 7M4R7MD3 115V	
	207076	RELAY PTC MAT DB73C 110V 60HZ	
	209988	RELAY PTC D SERIES MM8-5DDT33M	
	207080	RELAY PTC EMBRACO 7M220MD 3	
8	209674	CLIP O/LOAD 01-246801	
9	207066P	COMPR EMB EGU90HLCW 115V 60HZ	
	207067	<i>O/LOAD EMB 4TM762MFBYY EGU90 115V</i>	
	207068	<i>RELAY PTC EMB 7M4R7MD3 115V</i>	
	209995	<i>PROTECTOR COVER EMBRACO</i>	
	209996	<i>RETAINER CABLE EMBRACO</i>	
	207074P	COMPR MAT DB73C13RAT6 110V 60HZ	
	207075	<i>O/LOAD MAT DB73 110V 60HZ</i>	
	207076	<i>RELAY PTC MAT DB73C 110V 60HZ</i>	
	209493P	COMPR MATSU DB91C18RAY5 240V 50HZ	
	209078	<i>COVER PROTECTOR 01-899532</i>	
	209084	<i>O/LOAD MM3-28GCF</i>	
	209673	<i>CLIP COVER 01-245233</i>	
	209674	<i>CLIP O/LOAD 01-246801</i>	
	209988	<i>RELAY PTC D SERIES MM8-5DDT33M</i>	
	502173	<i>FILTER DRIER 12 GR DUAL BRAZED</i>	
	881443	<i>GROMMET COMPRESSOR MOUNTING LONG</i>	
	209999P	COMPR EMB FGS90HAW 240V 50HZ	
	209674	<i>CLIP O/LOAD 01-246801</i>	
	207080	<i>RELAY PTC EMBRACO 7M220MD 3</i>	
	209994	<i>OVERLOAD COMPR 283KFBYY FGS90</i>	
	209995	<i>PROTECTOR COVER EMBRACO</i>	

COMPRESSOR AND POWER MODULE



COMPRESSOR AND POWER MODULE

REF	PART	DESCRIPTION	MODEL
	209996	RETAINER CABLE EMBRACO	
	502173	FILTER DRIER 12 GR DUAL BRAZED	
	872838	GROMMET COMPRESSOR MOUNTING	
10	855270	CLIP FOOT COMPRESSOR	
11	872838	GROMMET COMPRESSOR MOUNTING	
12	850265	PIN COMPRESSOR MNTG	
13	502173	FILTER DRIER 12 GR DUAL BRAZED	
14	900101	WASHER LOCK NO 10 EXT SP ZP	
15	900377	SCREW 8X32X8 TYPE 23 PAN PH ZP	
	900475	SCREW 8X16.4MM SP PAN NIB ST	
16	883784P	MODULE PWR CONTROL BC 220-240V ST4.1	
	883785P	MODULE PWR CONTROL 220-240V ST4.1	
	883786P	MODULE POWER CONTROL 100-120V ST4.1	
17	881234	HARNESS COMPRESSOR 3 CORE ST4	
	881235	HARNESS COMPRESSOR 4 CORE ST4	
18	881400	CABLE SUPPLY NZ/AUST ST4	
	881401	CABLE SUPPLY SING/UK ST4	
	881402	CABLE SUPPLY EUROPE ST4	
	881403	CABLE SUPPLY TAIWAN ST4	
	881405	CABLE SUPPLY JAPAN ST4	
	883644	CABLE SUPPLY ISRAEL ST4	
19	875861	PLUG PLASTIC LT GREY	
20	878489	TRAY COMP MOUNTING 790	
21	901525	SCREW 8X16 PAN NIB STZP PHOS C	
22	873228	TRAY WATER OVERFLOW	
23	873040	TUBE HEATER SHEATHED 4.2MM	
24	209299	CAPACITOR RUN 20uF 250V ST4 (35MM X 73MM) - - EMBRACO COMPRESSOR 115V 60Hz	TAIWAN
25	207062	CAPACITOR RUN 4uF 400V ST4 (30MM X 55MM) - - EMBRACO COMPRESSOR 220V 60Hz	PHILLIPINES
26	880911	BRACKET STABILITY KIT ASSY	E521T
27	209964	CAPACITOR RUN MATSU 06-264850 15uF 180V	
		<u>PARTS NOT ILLUSTRATED</u>	
	874329	CABLE LEAD EARTH	
	875113	SUCTION & CAPILLARY ASSY	E521T
	874810	SUCTION & CAPILLARY ASSY	E522B
	883780	SUCTION & CAPILLARY ASSY - TWIN PC RETURN AIR DUCT-E521T	

NOTES

DOORS TOP FZR-WITH CURVED PLASTIC HANDLE

Notes

- | | |
|----|--|
| 16 | Doors Are Not Supplied With Gaskets |
| 24 | Prior To Serial Number AKR 208492 Use Part # 880654. From Serial Number AKR 208492 Use Part # SP0008 |
| 5 | Doors Are Not Supplied With Gaskets |

DOORS BTM FZR-WITH CURVED PLASTIC HANDLE

Notes

- | | |
|----|--|
| 19 | Doors Are Not Supplied With Gaskets |
| 23 | Prior To Serial Number AKR 208492 Use Part # 880654. From Serial Number AKR 208492 Use Part # SP0008 |

CABINET TOP FREEZER

Notes

- | | |
|--------|--|
| 878582 | Only available as complete assembly please order part number 880820 for ST3 cabinet or part number 881438P for ST4 cabinet |
| 878583 | Only available as complete assembly please order part number 880820 for ST3 cabinet or part number 881438P for ST4 cabinet |

CABINET BOTTOM FREEZER

Notes

- | | |
|--------|--|
| 878582 | Only available as complete assembly please order part number 880820 for ST3 cabinet or part number 881438P for ST4 cabinet |
| 878583 | Only available as complete assembly please order part number 880820 for ST3 cabinet or part number 881438P for ST4 cabinet |

FAN AND EVAPORATOR ASSEMBLIES

Notes

- | | |
|--------|--|
| 855305 | 855305 Adaptor Harness included for use when fitting the Stage 4 Defrost Heater Element (with Molex in-line connector) to an earlier Stage 1 to 3 cabinet (with AMP Mini Mate "N" Lok connector).The adaptor will remove the need to reterminate the cabinet harness on Stage 1 to 3 cabinets. |
|--------|--|

Technical Bulletins

- | | |
|--------|-------|
| 882843 | RF021 |
| 882956 | RF021 |
| 883349 | RF033 |
| 883350 | RF033 |

COMPRESSOR AND POWER MODULE

Technical Bulletins

881210P

RF031

COMPRESSOR AND POWER MODULE

Notes

883784P

883785P

883786P

Stage 4.1 electronics introduction in September 2002 & is a direct backward compatible replacement for Stage 4 electronic control module

REFRIGERATION ABBREVIATION KEY

PC	PROVISION COMPARTMENT
FC	FREEZER COMPARTMENT
HCL	HUMIDITY CONTROL LID
HC	HUMIDITY COMPARTMENT
HS	HOT STAMPED
X/RAIL	CROSS RAIL
BC	BUTTER CONDITIONER
BS	“B” SERIES CABINET
CH	CHARCOAL COLOUR
CL GY	COOL GREY COLOUR
LT GY	LIGHT GREY
MD GY	MID GREY
DK GY	DARK GREY
SATIN OR SC	SATIN CHROME FINISH
SA	SANDSTONE COLOUR
SS	STAINLESS STEEL
SL or SIL	SILVER
HAN P/C	HANDLE POWDER COATED
F&P	FISHER & PAYKEL
PUSHIN	PUSHIN TYPE GASKET
LH	LEFT HAND
RH	RIGHT HAND
LHT	LEFT HAND TOP
RHT	RIGHT HAND TOP
LHB	LEFT HAND BOTTOM
RHB	RIGHT HAND BOTTOM
SML	SMALL
DC	DIRECT CURRENT
10W	10 WATTS
12V	12 VOLTS
XH9	TYPE OF DESSICANT WITHIN A FILTER DRIER
M5	5 MILLIMETER